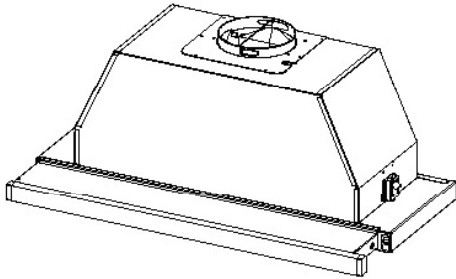




# CRISTAL HC

## Slideout Rangehood

- Installation Instructions
- Use and Care Information



### READ AND SAVE THESE INSTRUCTIONS

The Installer must leave these instructions with the homeowner. The homeowner must keep these instructions for future reference and for local electrical inspectors' use.

### READ THESE INSTRUCTIONS BEFORE YOU START INSTALLING THIS RANGEHOOD

**WARNING: - TO REDUCE THE RISK OF A RANGE TOP GREASE FIRE:** a) Never leave surface units unattended at high settings. Boilovers cause smoking and greasy spillovers that may ignite. Heat oils slowly on low or medium setting. b) Always turn hood ON when cooking at high heat or when flambeing food (i.e. Crepes Suzette, Cherries Jubilee, Peppercorn Beef Flambé). c) Clean ventilating fans frequently. Grease should not be allowed to accumulate on fan or filter. d) Use proper pan size. Always use cookware appropriate for the size of the surface element.

**WARNING: - TO REDUCE THE RISK OF INJURY TO PERSONS IN THE EVENT OF A RANGE TOP GREASE FIRE, OBSERVE THE FOLLOWING: SMOTHER FLAMES** with a close-fitting lid, cookie sheet, or metal tray, then turn off the burner. **BE CAREFUL TO PREVENT BURNS.** If the flames do not go out immediately **EVACUATE AND CALL THE FIRE DEPARTMENT. NEVER PICK UP A FLAMING PAN - You may be burned. DO NOT USE WATER,** including wet dishcloths or towels - a violent steam explosion will result. Use an extinguisher **ONLY** if: 1. You know you have a Class ABC extinguisher, and you already know how to operate it. 2. The fire is small and contained in the area where it started. 3. The fire department is being called. 4. You can fight the fire with your back to an exit.

ALL WALL AND FLOOR OPENINGS WHERE THE RANGEHOOD IS INSTALLED MUST BE SEALED.

This rangehood requires at least 24" of clearance between the bottom of the rangehood and the cooking surface or countertop. This minimum clearance may be higher depending on local building code. For example, for gas ranges, a minimum of 30" may be required. Overhead cabinets on both sides of this unit must be a minimum of 18" above the cooking surface or countertop. Consult the cooktop or range installation instructions given by the manufacturer before making any cutouts. **MOBILE HOME INSTALLATION** The installation of this rangehood must conform to the Manufactured Home Construction and Safety Standards, Title 24 CFR, Part 3280 (formerly Federal Standard for Mobile Home Construction and Safety, Title 24, HUD, Part 280). Four wire power supply must be used and the appliance wiring must be revised. See Electrical Requirements.

### LISEZ BIEN CETTE FICHE AVANT D'INSTALLER LA HOTTE

**AVERTISSEMENT - POUR MINIMISER LE RISQUE D'UN FEU DE GRAISSE SUR LA TABLE DE CUISSON :** a) Ne jamais laisser un élément de la table de cuisson fonctionner sans surveillance à la puissance de chauffage maximale; un renversement/débordement de matière grasseuse pourrait provoquer une inflammation et le génération de fumée. Utiliser toujours une puissance de chauffage moyenne ou basse pour le chauffage d'huile. b) Veiller à toujours faire fonctionner le ventilateur de la hotte lors d'une cuisson avec une puissance de chauffage élevée ou lors de la cuisson d'un mets à flamber (i.e. Crepes Suzette, Cherries Jubilee, Peppercorn Beef Flambé). c) Nettoyer fréquemment les ventilateurs d'extraction. Veiller à ne pas laisser de la graisse s'accumuler sur les surfaces du ventilateur ou des filtres. d) Utiliser toujours un ustensile de taille appropriée. Utiliser toujours un ustensile de taille adapté à la taille de l'élément chauffant.

**AVERTISSEMENT: - POUR PRÉVENIR LES BLESSURES EN CAS DE FEU SUIVRE LES RECOMMANDATIONS SUIVANTES: ÉTOUFFEZ LE FEU** avec un couvercle métallique et fermez le brûleur. Si le feu ne s'éteint pas tout de suite, **QUITTEZ LES LIEUX ET APPELEZ LES POMPIERS. NE TOUCHEZ JAMAIS UNE CASSEROLE EN FLAMMES. N'UTILISEZ JAMAIS DE L'EAU** ou un torchon mouillé pour éteindre le feu - ce qui pourrait causer une explosion de vapeur. N'utilisez un extincteur que si: 1. Vous avez un modèle ABC et vous connaissez bien son mode d'emploi. 2. Le feu est petit et peu répandu. 3. Les pompiers sont déjà prévenus. 4. Vous avez une sortie derrière vous.

TOUTE OUVERTURE DANS LE MUR OU LE PLANCHER À PROXIMITÉ DE LA HOTTE DOIT ÊTRE SCÉLLÉ

Gardez 24 po. de hauteur entre le bas de la hotte et la surface de cuisson. Cette hauteur minimum peut être plus haute suivant le code municipal. Par exemple, les cuisinières à gaz peuvent requérir 30 po. de hauteur. Les armoires au-dessus de chaque côté devront être au moins à 18 po. au-dessus de la surface de cuisson. Consultez la fiche technique avant de découper les armoires. L'installation de cette hotte doit être conforme aux Règlements de Manufactured Home Construction and Safety Standards, titre 24 CFR, Section 3280 (anciennement Federal Standard for Mobile Home Construction and Safety Standards, titre 24 CFR, Section 3280 (anciennement Federal Standard for Mobile Home Construction and Safety, titre 24, HUD, Section 280). Le branchement électrique se fait avec un raccordement à 4 fils. Consultez la fiche technique électrique.

## VENTING REQUIREMENTS

Determine which venting method is best for your application. Ductwork can extend either through the wall or the roof.

The length of the ductwork and the number of elbows should be kept to a minimum to provide efficient performance. The size of the ductwork should be uniform. Do not install two elbows together. Use duct tape to seal all joints in the ductwork system. Use caulking to seal exterior wall or floor opening around the cap.

**Flexible ductwork is not recommended. Flexible ductwork creates back pressure and air turbulence that greatly reduces performance.**

Make sure there is proper clearance within the wall or floor for exhaust duct before making cutouts. Do not cut a joist or stud unless absolutely necessary. If a joist or stud must be cut, then a supporting frame must be constructed

FOR MORE SPECIFIC DUCTWORK INFORMATION, GO TO PAGE 5.

**WARNING - To Reduce The Risk Of Fire, Use Only Metal Ductwork.**

### Cold Weather installations

An additional back draft damper should be installed to minimize backward cold air flow and a nonmetallic thermal break should be installed to minimize conduction of outside temperatures as part of the vent system. The damper should be on the cold air side of the thermal break. The break should be as close as possible to where the vent system enters the heated portion of the house.

**⚠ WARNING**

- Venting system **MUST** terminate outside the home.
- **DO NOT** terminate the ductwork in an attic or other enclosed space.
- **DO NOT** use 4" laundry-type wall caps.
- Flexible-type ductwork is not recommended.
- **DO NOT** obstruct the flow of combustion and ventilation air.
- Failure to follow venting requirements may result in a fire.

### **ELECTRICAL REQUIREMENTS**

A 120 volt, 60 Hz AC-only electrical supply is required on a separate 15 amp fused circuit. A time-delay fuse or circuit breaker is recommended. The fuse must be sized per local codes in accordance with the electrical rating of this unit as specified on the serial/rating plate located inside the unit near the field wiring compartment. **THIS UNIT MUST BE CONNECTED WITH COPPER WIRE ONLY.** Wire sizes must conform to the requirements of the National Electrical Code, ANSI/NFPA 70 - latest edition, and all local codes and ordinances. Wire size and connections must conform with the rating of the appliance. Copies of the standard listed above may be obtained from:

National Fire Protection Association  
Batterymarch Park  
Quincy, Massachusetts 02269

**For residential use only.**

This appliance should be connected directly to the fused disconnect (or circuit breaker) through flexible, armored or nonmetallic sheathed copper cable. Allow some slack in the cable so the appliance can be moved if servicing is ever necessary. A UL Listed, 1/2" conduit connector must be provided at each end of the power supply cable (at the appliance and at the junction box).

When making the electrical connection, cut a 1 1/4" hole in the wall. A hole cut through wood must be sanded until smooth. A hole through metal must have a grommet.

**WARNING - TO REDUCE THE RISK OF FIRE OR ELECTRIC SHOCK, do not use this fan with any solid-state speed control device.**

**WARNING - TO REDUCE THE RISK OF FIRE, ELECTRICAL SHOCK, OR INJURY TO PERSONS, OBSERVE THE FOLLOWING: Use this unit only in the manner intended by the manufacturer. If you have any questions, contact the manufacturer.**

**Before servicing or cleaning unit, switch power off at service panel and lock the service disconnecting means to prevent power from being switched on accidentally. When the service disconnecting means cannot be locked, securely fasten a prominent warning device, such as a tag, to the service panel.**

**CAUTION: For General Ventilating Use Only. Do Not Use To Exhaust Hazardous or Explosive Materials and Vapors.**

**WARNING - TO REDUCE THE RISK OF FIRE, ELECTRICAL SHOCK, OR INJURY TO PERSONS, OBSERVE THE FOLLOWING: Installation Work And Electrical Wiring Must Be Done By Qualified Person(s) In Accordance With All Applicable Codes And Standards, Including Fire-Rated Construction.**

Sufficient air is needed for proper combustion and exhausting of gases through the flue (chimney) of fuel burning equipment to prevent backdrafting. Follow the heating equipment manufacturer's guideline and safety standards such as those published by the National Fire Protection Association (NFPA), and the American Society for Heating, Refrigeration and Air Conditioning Engineers (ASHRAE), and the local code authorities.

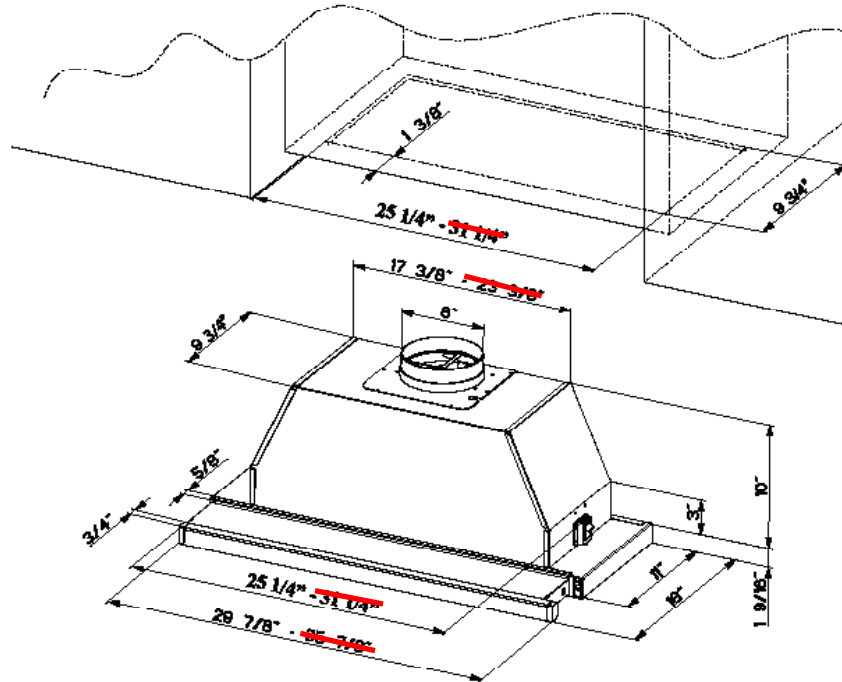
**When cutting or drilling into wall or ceiling, do not damage electrical wiring and other hidden utilities.**

**Ducted fans must always be vented to the outdoors.**

**⚠ WARNING**

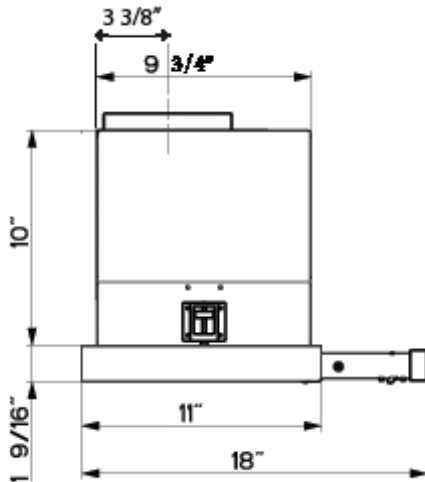
- Electrical ground is required on this rangehood.
- If cold water pipe is interrupted by plastic, nonmetallic gaskets or other materials, **DO NOT** use for grounding.
- **DO NOT** ground to a gas pipe.
- **DO NOT** have a fuse in the neutral or grounding circuit. A fuse in the neutral or grounding circuit could result in electrical shock.
- Check with a qualified electrician if you are in doubt as to whether the rangehood is properly grounded.
- Failure to follow electrical requirements may result in a fire.

**CRISTAL HC DIMENSIONS**

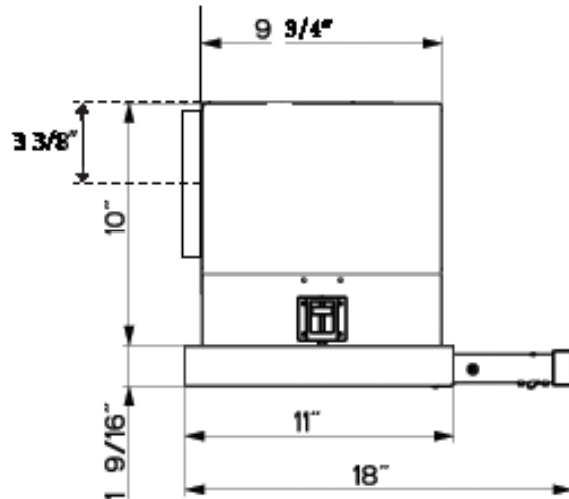


**Pre-Planning Your Installation - Important:** The recommended height to install this hood off the cooktop is a minimum of 24" and a maximum of 30" for maximum effectiveness. Also consult the cooktop manufacturer's recommendation. **NOTE: If direct rear venting, use the side dimensional diagram below on the right. For top venting (comes standard in this position), use the left dimensional diagram.** Refer to page 5 for directions for direct rear venting.

**CRISTAL HC SIDE DIMENSIONS (TOP VENT - STANDARD)**



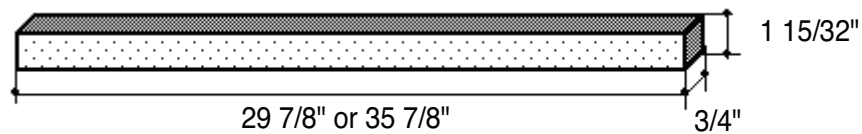
**CRISTAL HC SIDE DIMENSIONS (DIRECT REAR VENT OPTION)**



**FRONT TRIM OPTIONS**

The Cristal HC comes with a white front strip installed. Optional black and brushed aluminum strips are included in the box. For a custom front strip, a local cabinet shop can make a strip to match your cabinets.

**CUSTOM FRONT TRIM DIMENSIONS**



**TOOLS NEEDED FOR INSTALLATION**

- Saber Saw or Jig Saw
- Drill
- 1 1/4" Wood Drill Bit
- Pliers
- Phillips Screwdriver
- Wire Stripper or Utility Knife
- Metal Snips
- Measuring Tape or Ruler
- Level
- Pencil
- Caulking Gun
- Duct Tape

**PARTS SUPPLIED FOR INSTALLATION**

- 1 Backdraft Damper
- 1 Vent Grate (for recirculating installations only)
- 3 front trims, white (already installed), black, and brushed aluminum
- 1 Vinyl Trim
- 1 Literature Package

**PARTS NEEDED FOR INSTALLATION**

- 2 Conduit Connectors
- Power Supply Cable
- 1 Wall or Roof Cap
- All Metal Ductwork

**OPTIONAL ACCESSORIES AVAILABLE**

• **Charcoal Filters**

For non-vented installations only, replace charcoal filters as needed part # FILTER1

**PLAN THE DUCTWORK**

The Cristal HC slideout rangehood is designed to offer wide flexibility of installations. The rangehood can be ducted vertically or horizontally through a 6" round vent. The unit can also be installed in a recirculating configuration. The unit comes standard in the top venting position. **FIGURES 1 and 2** show vertical and horizontal installations for this unit. **FIGURE 3** shows recirculating installation.

The Cristal HC requires 6" round ductwork. To ensure that the blower performs to its highest possible capacity, ductwork should be as short and straight as possible.

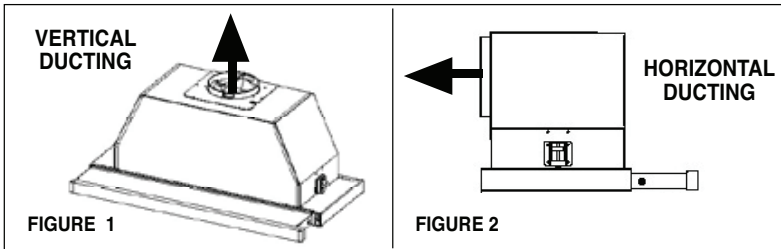
The ductrun should not exceed 35 feet if ducted with the required minimum of 6" round duct. Calculate the length of the ductwork by adding the equivalent feet in **FIGURE A** for each piece of duct in the system. An example is given in **FIGURE B**. **For best results, use no more than three 90° elbows. Make sure that there is a minimum of 24" of straight duct between elbows if more than one is used. Do not install two elbows together. If you must elbow right away, do it as far away from the hood's exhaust opening as possible.**

45° Elbow	3.0 feet
90° Elbow	5.0 feet
90° Flat Elbow	12.0 feet
Wall Cap	0.0 feet

**FIGURE A**

9 Feet Straight Duct	9.0 feet
2 - 90° Elbows	10.0 feet
Wall Cap	0.0 feet
Total System	19.0 feet

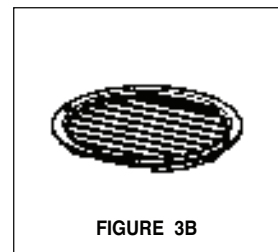
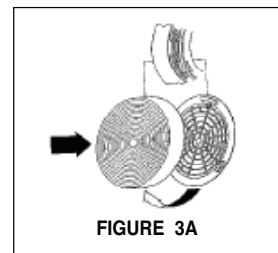
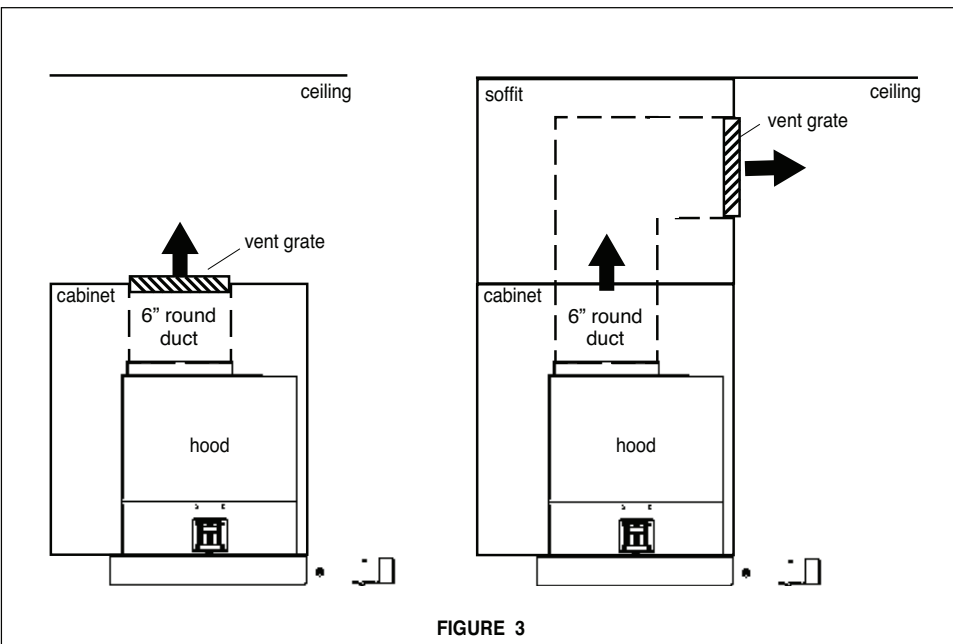
**FIGURE B**



For direct rear venting (**FIGURE 2**), you must change the blower position. Remove the 12 screws that hold the metal housing to the rangehood body. Remove the 4 screws that hold the blower housing to the metal housing. Rotate the blower 90 degrees toward the back and then flip it over 180 degrees. Be sure that the power supply cable is properly positioned. Replace all screws, making sure that they are firmly fastened.

**RECIRCULATING INSTALLATIONS**

For recirculating installations (**FIGURE 3**), **Charcoal Filters** are necessary. Remove all four grease filters and set aside. Attach one charcoal filter to each end of the blower. Each charcoal filter attaches to the black grid on the side of the blower. Rotate the filter clockwise to install and counterclockwise to remove (**FIGURE 3A**). Replace all four grease filters. **Some ductwork must be installed** to exhaust the rangehood back into the kitchen, either at the top of the cabinet or at the face of the soffit. A plastic vent grate (**FIGURE 3B**) supplied with the rangehood can be used to cover the duct opening. This duct work must not terminate into a dead air space.



## PREPARE THE CABINET

1. Disconnect and move freestanding range from cabinet opening to provide easier access to upper cabinet and rear wall. Put a thick, protective covering over cooktops, set-in ranges or countertops to protect from damage or dirt.
2. Determine and clearly mark with a pencil the center line of the cabinet on the wall and on the underside of the cabinet where the rangehood will be installed.
3. If the cabinet bottom is recessed, wood blocks need to be installed to insure proper alignment with the cabinet bottom. Wood blocks should be flush or recessed 1/16" to 1/8" within the cabinet bottom as indicated in **FIGURE 4**.

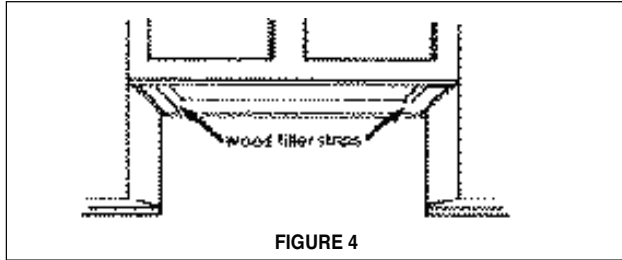


FIGURE 4

4. Determine the proper cutouts for the ductwork. Make all necessary cuts in the walls or cabinets for the ductwork. Install the ductwork before mounting the rangehood.
5. Determine and make the proper cutout for the Power Supply Cable. Use a 1 1/4" Drill Bit to make this hole. Run the Power Supply Cable through the wall or cabinet. DO NOT turn on the power until installation is complete. Use caulking to seal around the wire opening.

## MAKE THE CUT-OUT OPENING (FIGURE 5) WHERE THE RANGEHOOD WILL BE INSTALLED.

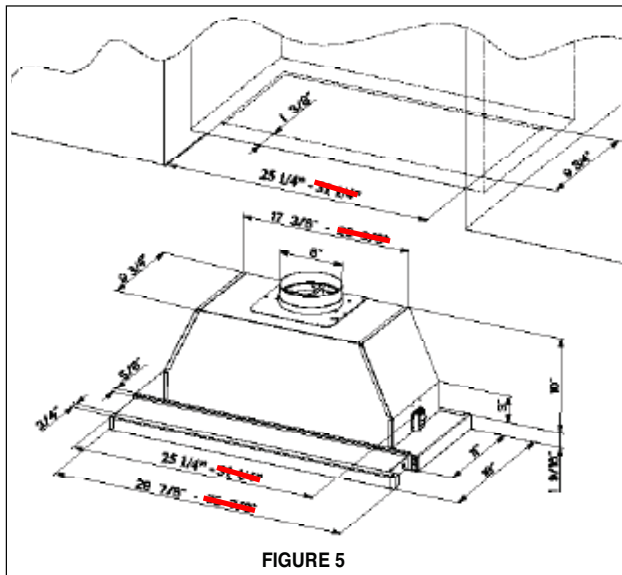


FIGURE 5

## INSTALL THE RANGEHOOD

1. Remove the rangehood from the carton and place on a flat surface. Cover the surface to prevent accidental damage. Remove all parts including the backdraft damper, plastic grille and literature package before discarding the carton. Remove the grease filters and set aside.
2. Place the round damper into the exhaust opening of the rangehood and press down.

3. The rangehood mounts to the cabinet by two spring loaded brackets, one on each side of the rangehood (**FIGURE 6**). Lift the rangehood into the cutout opening in the cabinet. Be careful not to damage the cabinet, rangehood or other appliances.

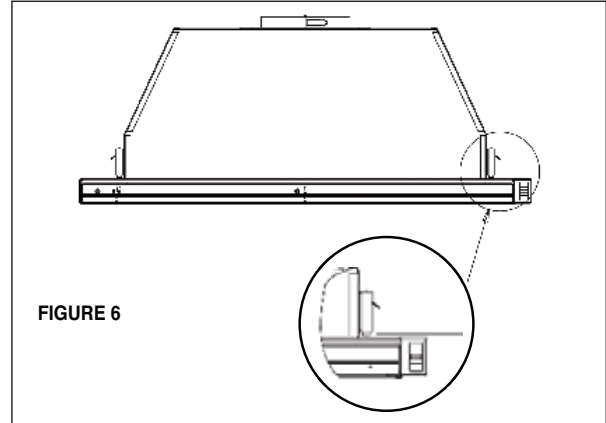


FIGURE 6

4. The spring loaded brackets are factory set to accommodate a thickness between 1 3/16" and 2 1/4". If your cabinet bottom is less than 1 3/16" thick, the spring loaded brackets can be removed and repositioned down from the top setting to the bottom setting by removing the four phillips screws.
5. Tighten the rangehood to the cabinet by rotating the screws with a phillips screw driver.

6. A grey vinyl strip (**FIGURE 7**) is included to cover the underside of any remaining exposed cabinet. Attach the grey vinyl strip to the bottom of the back of the rangehood with the three screws provided. If necessary, the strip can be cut to fit the cabinet depth.

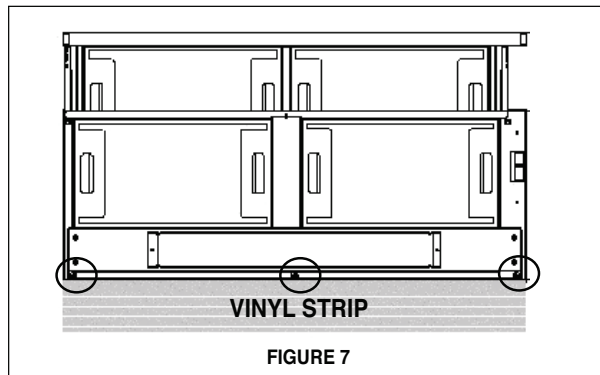


FIGURE 7

7. Remove the cover from the field wiring compartment with a phillips screwdriver. Feed the Power Supply Cable through the electrical knockout. Connect the Power Supply Cable to the rangehood cable. Attach the White lead of the power supply to the White lead of the rangehood with a twist-on type wire connector. Attach the Black lead of the power supply to the Black lead of the rangehood with a twist-on type wire connector. Attach the Power Supply Cable grounding lead to the green screw provided. Using the 4 holes provided, screw the field wiring compartment to the wall or cabinet as dictated by your Power Supply Cable location (screws not provided). Replace the cover.

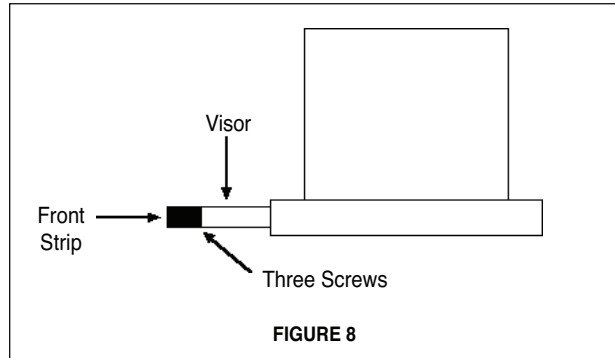
8. Replace the grease filters. Connect the ductwork to the damper and seal all connections.

9. Turn the power supply on. Turn on the blower and light. If the rangehood does not operate, check that the circuit breaker is not tripped or the house fuse blown. If the unit still does not operate, disconnect the power supply and check that the wiring connections have been made properly.

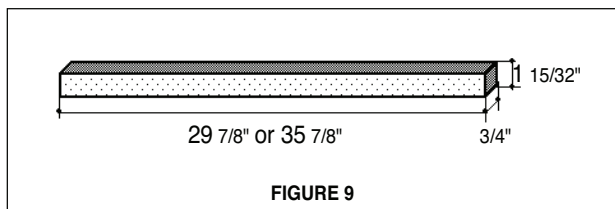
## FRONT TRIM OPTIONS

The Cristal HC comes with a white front strip installed. Optional black and brushed aluminum strips are included in the box. To change the front strip, remove the three phillips screws located behind the strip (**FIGURE 8**). If necessary, the front strip can be adjusted by loosening the three phillips screws and sliding the strip up or down. Tighten screws when you have the strip properly placed.

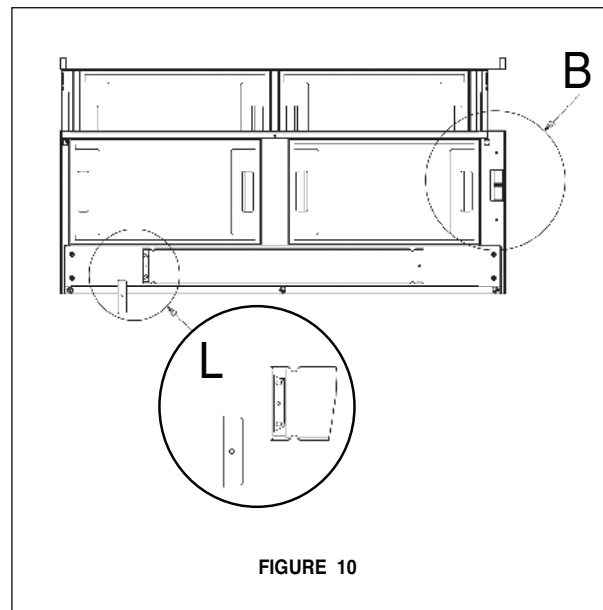
For a custom front strip, a local cabinet shop can make a strip to match your cabinets. The front strip dimensions are given in **FIGURE 9**.



**FIGURE 8**



**FIGURE 9**



**FIGURE 10**

## USE AND CARE INFORMATION

### **Rangehood Control Panel**

All controls are located on the right side of the rangehood.

### **Light On/Off Switch**

The On/Off switch for the fluorescent light is located behind the front trim. Moving the switch to the 1 Position turns the light On. Moving the switch to the 0 position turns the light off.

### **Blower Speed Switch**

**B** in **FIGURE 10** shows the speed control switch for the blower. Moving the switch to the 1 Position turns the blower on LOW. Moving the switch to the 2 Position turns the blower on MEDIUM. Moving the switch to the 3 Position turns the blower on HIGH. Moving the switch to the 0 Position turns the blower off.

### **Automatic Operation**

As long as the blower and light switches are on, the blower and light will automatically operate when the visor is opened and shut off when the visor is closed.

### **For Best Results**

Start the rangehood several minutes before cooking to develop proper airflow. Allow the unit to operate for several minutes after cooking is complete to clear all smoke and odors from the kitchen.

### **Cleaning**

The metal grease filters should be cleaned frequently in hot detergent solution or placed in the dishwasher. Clean exterior surfaces with hot soapy water. Using abrasives and scouring agents can scratch rangehood finishes and should not be used to clean finished surfaces.

### **Replacing the Fluorescent Light**

To replace the fluorescent light, remove the diffuser clips from both ends of the glass diffuser (**L** in **FIGURE 10**) by removing the screws. Carefully slide the glass diffuser all the way to the right. Lower the left end of the glass below the support flange, then remove the glass by sliding it back to the left. Replace the diffuser glass by reversing these directions.

## **FABER WARRANTY & SERVICE (SAVE FOR YOUR RECORDS)**

All Faber products are warranted against any defect in materials or workmanship for the original purchaser for a period of 1 year from the date of original purchase. This warranty covers labor and replacement parts. To obtain warranty service, contact the dealer from whom you purchased the rangehood, or the local Faber distributor. If you cannot identify a local Faber distributor, contact us at (508) 358-5353 for the name of a distributor in your area.

### **The Following is not covered by Faber's warranty:**

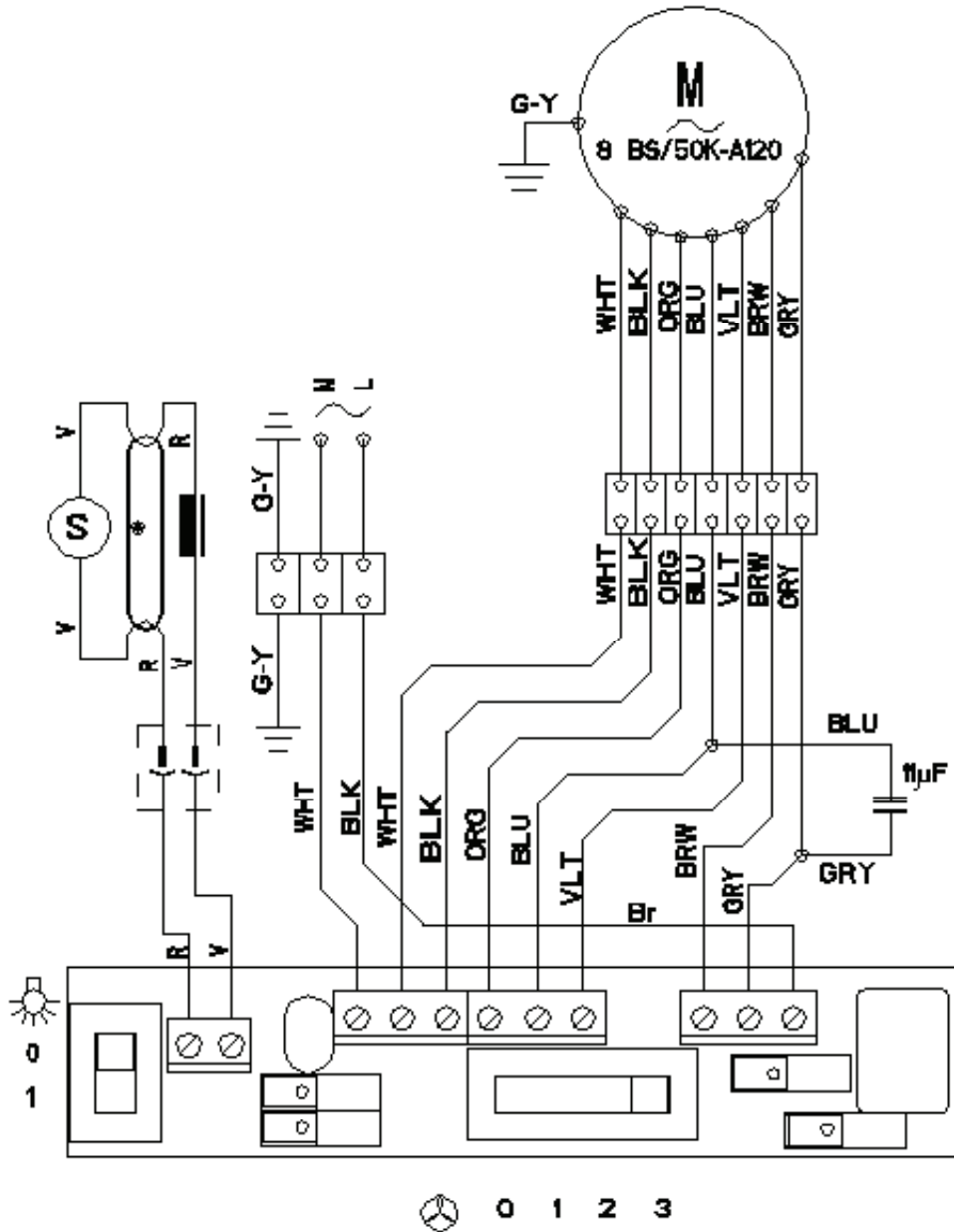
1. Service calls to correct the installation of your range hood, to instruct you how to use your range hood, to replace or repair house fuses or to correct house wiring or plumbing.
2. Service calls to repair or replace range hood light bulbs, fuses or filters. Those consumable parts are excluded from warranty coverage.
3. Repairs when your range hood is used for other than normal, single-family household use.
4. Damage resulting from accident, alteration, misuse, abuse, fire, flood, acts of God, improper installation, installation not in accordance with electrical or plumbing codes, or use of products not approved by Faber.
5. Replacement parts or repair labor costs for units operated outside the United States or Canada, including any non-UL or C-UL approved Faber rangehoods.
6. Repairs to the hood resulting from unauthorized modifications made to the rangehood.
7. Expenses for travel and transportation for product service in remote locations and pickup and delivery charges. Faber range hoods should be serviced in the home.

### **Record Your Information Below:**

**Serial #:** \_\_\_\_\_

**Date of Purchase:** \_\_\_\_\_

WIRING DIAGRAM / DIAGRAMME DE FILAGE



- This rangehood uses Fluorescent Lamp Type 18", 15W, T8 and Starter Type S2.
- Cette hotte utilise une ampoule fluorescente, type 18", 15W, T8 et un déclencheur, type S2.