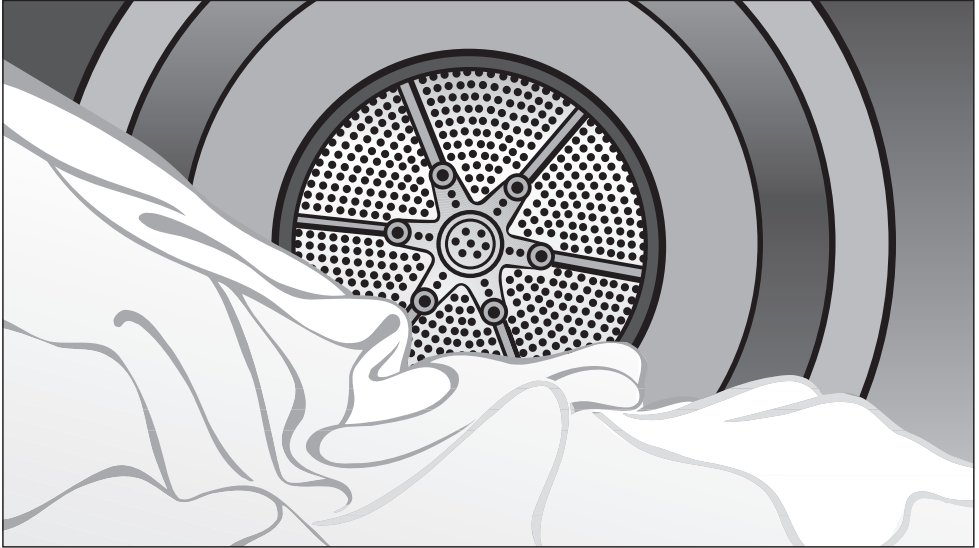


Miele

NOVOTRONIC



Operating Instructions

Vented dryer

T 7634

To avoid the risk of personal injury or damage to the appliance, it is **essential** that you read these operating instructions **before** installation and use. This machine is not approved for use in the United States.

en - CA

M.-Nr. 07 323 240

Caring for the environment

Disposal of packing material

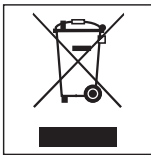
The packing materials protect the dryer from damage during transport. They have been selected for environmental compatibility and efficient disposal and can therefore be recycled.

To prevent suffocation, ensure that any plastic wrappings, bags, etc. are disposed of safely and kept out of the reach of children.

Disposing of your old appliance

Old appliances may contain materials that can be recycled. Please contact your local recycling authority about the possibility of recycling these materials.

Ensure that a discarded dryer presents no danger to children. When being stored for disposal remove the door to the drying compartment.



Saving energy

To avoid unnecessarily long drying times and increased energy use:


- Let the wash spin in the washer at maximum spin speed.
You can save about 30% in energy and time if you spin at 1600 instead of 800 rpm.
- Use the maximum load for each drying program. This gives the optimum energy consumption in relation to the total amount of laundry.
- Ensure that the room where the dryer is located is sufficiently ventilated.
- Clean the lint screen after every use.
- Inspect the vent ducting regularly and its components for possible stoppage by lint and remove as necessary.
- When installing, the vent ducting avoid too many curves or bends.


Caring for the environment	2
IMPORTANT SAFETY INSTRUCTIONS	5
Operating the dryer	8
Control panel	8
Laundry care	10
Care symbols	10
Drying tips	10
Proper drying	12
Brief instructions	12
Options/Delay	15
Gentle	15
Buzzer	15
Delay	15
Program Overview	16
Changing the program sequence	19
Switching over from a running program	19
- Canceling and selecting a new program	19
- Interrupting a program and removing laundry	19
Loading or removing laundry	19
Time remaining	19
Electronic lock	20
Cleaning and care	21
Cleaning door lint filter	21
Cleaning port-hole grilles	22
Cleaning the dryer	22
Trouble shooting	23
What to do, if . . . ?	23
Test and fault messages	23
Other faults	25
Replacing the light bulb	28
Customer service	29
Repairs	29
Program updates	29
Warranty conditions and warranty period	29
Optional accessories	29

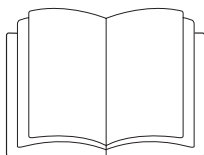
Contents

Installation and connection	30
Front view	30
Rear view	31
Installation site	31
Carrying the dryer to the installation site	31
Washer-dryer stack	31
Leveling the dryer	32
Ventilating the installation area	32
Electrical connections	33
Installing the dryer vent	34
General	34
Calculating total duct length	35
Rear or side exhaust connection	36
Ⓐ Flexible metal duct hose	37
Ⓑ Dryer vent systems from metal piping	39
Ⓒ Connecting directly to a wall vent	40
Ⓓ Vent collector duct	41
Washer-dryer stack	42
Technical data	43
Programmable functions	45
Extending the range of drying levels	45
Adjusting buzzer volume	46
Set memory function	47
Extending cooldown time	48
Change function of Filter/Vent indication	49
Adjust keypad tone	50
Changing water conductivity setting	51

IMPORTANT SAFETY INSTRUCTIONS

 This machine T 7634 meets all CSA requirements. This machine is not approved for use in the United States.

 **WARNING** - To reduce the risk of fire, electric shock, or injury to persons when using your appliance, follow basic precautions, including the following:



► It is **essential** to read all instructions before using the appliance.

► The dryer is designed for household use only and only for drying textiles that have been washed in water and whose fabric care label states that they can be tumble dried. Other uses may be dangerous. Miele will not be held liable for damage caused by improper use or incorrect operation.

► Do not allow children to play on or in the appliance. Close supervision is necessary when the appliance is used near children. Always close the door after use to prevent child hazards.

► This appliance is not intended for use by persons (including children) with reduced physical, sensory or mental capabilities, or lack of experience or knowledge, unless they are supervised whilst using it or have been shown how to use it by a person responsible for their safety.

► Before this appliance is removed for service or discarded, remove the door to the drying compartment.

► Do not reach into the dryer if the drum is moving.

► Do not install or store this appliance where it will be exposed to the weather.

► Do not tamper with the controls.

► Do not repair or replace any part of the appliance or attempt any servicing unless specifically recommended in these operating instructions. Repairs to electrical appliances should only be performed by qualified personnel. Incorrectly repaired machines may pose a considerable risk to the user.

► Do not use fabric softener sheets to eliminate static in this dryer. Best results are achieved when a liquid softener is used in the washer. Follow the manufacturers instructions.

► To prevent the risk of fire, the following textiles must not be dried in this dryer:

- items which have not been washed.
- items, such as work-wear, exposed to grease, oils, or other deposits (such as lotions or cosmetics) in your dryer. If these items have not been thoroughly cleaned there is a danger that they may contribute to a chemical reaction that could cause the laundry to ignite when heated even after being removed from the dryer.

IMPORTANT SAFETY INSTRUCTIONS

- items that have been previously cleaned, washed, soaked or spotted with gasoline, dry-cleaning solvents or other flammable or explosive substances. They may give off vapors that could ignite or explode.
- items treated with flammable cleaning agents or items containing acetone, alcohol, gasoline, stain remover, wax or chemicals from buffing, etc.
- items which have been splashed with hair spray, nail polish remover, etc.

When washing heavily soiled items ensure that sufficient detergent is used with a high temperature. If in doubt wash the item several times.

- items containing foam rubber or similarly textured rubber-like materials.
- items with padding or filling (e.g. pillows or jackets) which have been damaged. Loose filling could catch fire.
- ▶ **WARNING** – Never stop a tumble dryer before the end of the drying cycle unless all items are quickly removed and spread out so that the heat is dissipated.
- ▶ Allow the dryer to complete each stage of the program selected, including the cooling down phase. This will ensure that the items being removed are not too hot to handle
- ▶ Clean the lint filter before or after each load.

- ▶ Keep the area around the air intake (toe kick) and adjacent surrounding areas free from lint, dust and dirt.
- ▶ The interior of the machine should be cleaned periodically by qualified personnel.

This dryer is intended for residential use only!

▶ GROUNDING INSTRUCTIONS

This appliance must be grounded. In the event of malfunction or breakdown, grounding will reduce the risk of electric shock by providing a path of least resistance for electric current. This appliance is equipped with a cord having an equipment grounding conductor and a grounding plug. The plug must be plugged into an appropriate outlet that is properly installed and grounded in accordance with all local codes and ordinances.

▶ **WARNING** – Improper connection of the equipment-grounding conductor can result in a risk of electric shock. Contact a qualified electrician if you are in doubt as to whether the appliance is properly grounded.

▶ Do not modify the plug provided with the appliance: if it will not fit the outlet, have a proper outlet installed by a qualified electrician.

▶ A faulty power cord must be replaced by a genuine Miele power cord.

▶ Do not use the dryer without a lint screen or with a damaged lint screen.

▶ Lint screens must be cleaned regularly!

IMPORTANT SAFETY INSTRUCTIONS

▶ The dryer should not be operated without a vent duct.

▶ It should not be connected to a chimney used for other purposes.

▶ Do not place the dryer in a room where there is a risk of frost occurring. Temperatures around freezing affect dryer performance.

Acceptable room temperature should lie between +2°C and +35°C.

▶ Check all components of the venting system (such as the wall pipe, external grill, elbows and bends, etc.) for airtightness. Lint can build up, impeding airflow.

If a pre-existing system is present, it should be checked before the dryer is installed.

▶ Ducting must not be connected to a fireplace or gas flue that is in use, nor to ducting which ventilates rooms with fireplaces. Otherwise there is the danger of smoke or exhaust gas being driven back.

▶ **A suffocation and poisoning hazard** exists from suction of exhaust gases, when gas water heaters, space heaters, coal stoves with chimney connections, etc., are installed in the same room, or in the dwelling, or in neighboring rooms and the under pressure is 4 Pa or more. Prevent underpressure by sufficient room ventilation, by, for instance:

- unclosable ventilation openings in the external wall, or
- a window switch:
the dryer can only be switched on with the window open.

Safe operation and avoidance of an underpressure of 4 Pa or more should in any case be confirmed by your Master Chimney Sweep.

▶ Keep the room in which the dryer is installed free of dust and fluff. Dirt particles in the entering air promote stoppages.

▶ Do not support yourself or lean on the door. The dryer might tip over.

▶ Close the door after every drying cycle. In this way you can prevent

- children from trying to climb into the dryer or leaving objects inside it.
- small animals from getting into the dryer.

▶ Do not hose down the dryer.

Accessories

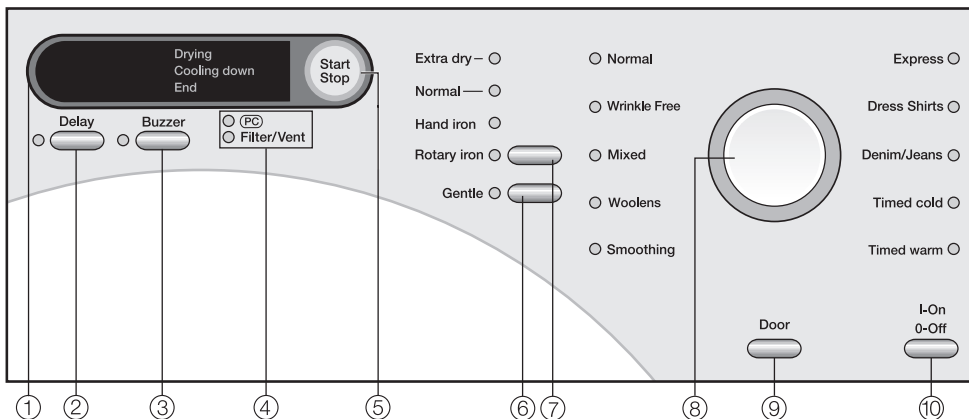
▶ Accessory parts may only be attached or installed when they have been expressly approved by Miele. If other parts are added or installed, guarantee, performance and/or product liability claims are invalidated.

The manufacturer will not be held liable for damage caused by failure to comply with the safety instructions and warnings.

SAVE THESE INSTRUCTIONS

Operating the dryer

Control panel



① **Display**

② **Delay** button

- This button has a dual function:
- Selecting the duration of the *Timed cold* and *Timed warm* programs.
 - Pre-selection of start time.

③ **Buzzer** button

The end of the program is signaled audibly.

④ **Fault indicator / Optical interface**

Description: See "Problem solving / Customer service" section.

⑤ **Start/Stop** button

Starts and stops a program.
Interrupts a program when pressed.
Flashes during program selection and lights once the program starts.

⑥ **Gentle** button

Delicate fabrics are dried at a lower temperature.

⑦ **Dryness** button

Indicator lights identify the drying level selected.

⑧ **Program** selector

Indicator lights identify the program selected.

⑨ **Door** button

This button opens the door independently of the power supply.

⑩ **I-On/0-Off** button

For switching the dryer on and off.

Display

The following functions are selected from the display:

- Delay
- Selecting duration of *timed* programs.
- Programmable functions.

The display also shows:

- Program duration.
- Program stage:
 - Drying*
 - Cooling down*
 - End.*
- Test and fault messages.

Program duration/ Estimated time remaining

When a program is selected, the estimated time remaining will be displayed. This is to be considered an estimate only.

The following factors can lead to variations in the time remaining estimate: Residual moisture after spinning; type of fabric; size of load; ambient temperature, or fluctuations in the power supply.

The adaptive electronics constantly adjusts to the individual wash load to ensure a more accurate estimate of time remaining. This estimate is permanently monitored during drying, which in some cases can lead to a change in the estimate.

In this way, the delicate and smoothing programs can end earlier, when a certain temperature is reached. This can happen with particularly fine fabrics, very small loads, or if items have previously been dried.

Delay

The delay time selected will be displayed.

The delay time countdown begins after pressing the *Start* button.








Once the time delay expired, the estimated program duration will appear in the display and the drying begins.

Programmable functions

The programmable functions can be used to adapt the dryer to your personal requirements. In programming mode, the display will show the function selected.

Laundry care

Care symbols

Drying	
	Normal/higher temperature
	reduced temperature: select <i>Gentle</i> (for delicate fabrics)
	Not suitable for dryer
Ironing and rotary ironing	
	very hot
	hot
	not very hot
	Do not iron/rotary iron

Drying tips

- Always check the weight recommendation for maximum loads as listed in the "Program Overview" section.

Overloading will cause wear and tear on the laundry, give a poor drying result and cause more creasing.

- Do not dry fabrics that are still soaking wet! After washing, spin fabrics for at least 30 seconds.
- Dry mixed loads of cottons, colors and easy-care fabrics in the Express program.
- Open jackets so that they dry evenly.
- Woolens and wool blends tend to mat and shrink. Only handle these fabrics in the *Woolens* program.
- The linings of down-filled garments, depending on quality, tend to shrink. Handle these fabrics only in the *Smoothing* program.
- Pure linens are dried only when indicated on the care label. Otherwise the fabric may become rough. Handle these fabrics only in the *Smoothing* program.
- Cottons (such as T-shirts and underwear) depending on quality, often shrink at the first wash. Therefore: to avoid further shrinkage, do not over-dry these textiles.
- Starched laundry may be dried. To achieve the usual finish, however, use a double amount of starch.
- Wash new colored fabrics separately before the first drying. Do not dry them together with light-colored fabrics since their colors may run and discolor other garments or even plastic dryer components.

- Wrinkling increases with larger loads. This especially occurs with very fine fabrics as used in shirts and blouses.

To limit wrinkling the dryer performs the following actions:

1. Tumble drying with drum reversal (prevents roll-ups of laundry, creasing and uneven drying),
2. Constantly measures the temperature of air coming into and leaving the drum,
3. Cycles two heater sections for 0, half and full power,
4. Automatic drying stage termination, after the desired Dryness level of laundry is reached. To do this, the dryer is equipped with systems:
 - water conductivity metering,
 - sensing of laundry's residual moisture,
 - software.
5. Cooling down with tumbling and drum reversal,
6. Anti-crease with drum reversal.

In cases of doubt, reduce the load by dividing it.

Use the *Dress shirts* program.

Proper drying

Brief instructions


The operating steps identified with numbers(1, 2, 3, ...) may be used as short-cut instructions.

1 Preparing the laundry

Loosen the washed garments and sort them by: . .

- . . . desired drying level,
- . . . type of fabric and finish,
- . . . size,
- . . . same residual moisture content after spinning.

This will produce very even drying.

 Remove foreign objects like detergent dispensing devices from the laundry. They can melt and damage the dryer and the wash.

- Check hems and seams to ensure that linings don't come out.
- Close duvet covers and pillowcases to prevent small items from getting inside.
- Fasten hooks and close buttons.
- Tie fabric belts together.

2 Turn on the dryer

You may also switch the dryer on after loading it, as the drum will not be illuminated, to save energy.

- To turn it on, press the *I-On/0-Off* button.

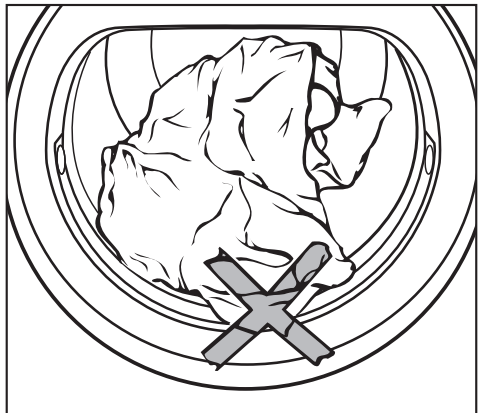
3 Loading the dryer

- Press the *Door* button to open.
- Place the laundry loosely in the drum.

Do not exceed maximum loads specified in the "Program Overview" Section.

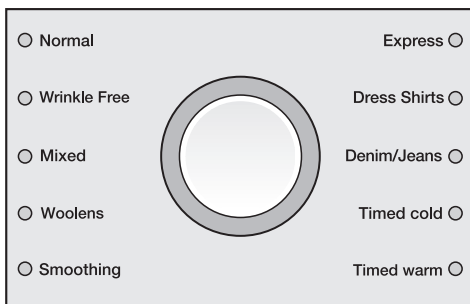
Overloading may cause wear and tear on the laundry and adversely affects drying.

- Before closing the door, check that the lint filter is properly inserted in the door casing.



Ensure that no small items are jammed in the door, because they might otherwise be damaged.

4 Select program



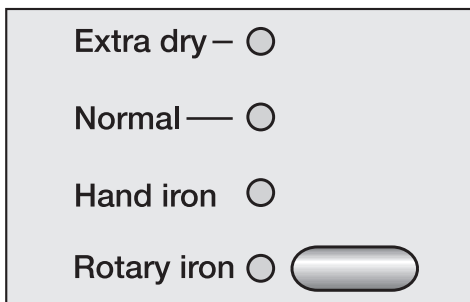
- Select the desired program.

The indicator light for the program selected lights up.

Other indicator lights for drying levels or extras may be lit, and drying times displayed.

Dryness level selection in programs:

- *Normal, Wrinkle-free, Express, Dress shirts, denim/jeans*



- Press the button repeatedly until the desired indicator light is lit.

For *Normal* any dryness level can be selected, but selection is limited in other programs.

Note: The estimate of time remaining shown in the display varies with each new program selection.

Woolens and Smoothing programs:

- cannot be altered.

Timed program

The *Delay* button flashes when *Timed cold* or *Timed warm* programs are selected.

- Repeatedly press the *Delay* button until the required duration appears in the display.

Drying time can be selected in 10-minute increments from 20 minutes up to 2 hours.

5 Extra options/Select Delay

- Press button to select the following options:
Gentle, Buzzer, Delay options (see "Options/Delay").
Anti-Crease action always activates at program's end (see next page).

Please note: Delay is not possible in combination with the *Timed warm* and *Timed cold* programs.

Proper drying

⑥ Starting the program

The Start/Stop button flashes during program selection. This means that a program can be started.

- Press the *Start/Stop* button.

The *Start/Stop* button lights.

Drying appears in the display and the time remaining is counted down.

Before the end of a program

After the drying phase finished a cooldown phase follows.

The following programs have no cooldown phase: *Woolens*, *Smoothing*.

⑦ End of program - Remove laundry

0 and *End* appear in the display to indicate the program end. The buzzer sounds at intervals (when selected).

After the program end the drum rotates reversibly in intervals if clothes are not removed (Anti-crease action). This helps to prevent creasing for up to 2 hours.


- Press the *Door* button.
- Open the door.
- Remove the laundry.

Check that the drum is empty.
Laundry left behind may be damaged if dried again.

To save energy, the drum light turns off after a few minutes when the dryer is not operating and the door is open.

- To shut it off, press the *On/Off* button.
- Clean the lint filter.
- Close the door.

Gentle

Delicate fabrics (with the  symbol on the care label, such as acrylics) must be dried at lower temperatures for longer durations.

On some programs *Gentle* is permanently set and cannot be deselected.

Buzzer

At the end of the program a buzzer sounds at intervals, for a maximum of 1 hour.

A continuous warning tone for fault messages sounds whether the buzzer is on or off.

Delay

With the Delay option, you can select a later program start time. Program start can be delayed by 30 minutes up to a maximum of 24 hours. This enables you, for instance, to take advantage of night electricity rates.

After program selection:

- Repeatedly press the *Delay* button until the required duration appears in the display.
- The *Delay* indicator light flashes.
- Times of up to *10h* are selected in 30-minute steps, more than *10h* in one-hour steps.
- If you keep the *Delay* button pressed in, the time will continue to increase up to *24h*.

Starting

- Press the *Start/Stop* button.
- The *Delay* indicator light comes on.

The Delay counts down to program start as follows:

- More than *10h*, in whole hours.
- Less than *10h*, in minutes.

The drum will turn briefly every hour to prevent creasing.

Canceling / altering Delay




- Press the *Start/Stop* button.
- The Delay is cancelled.
- Repeatedly press the *Delay* button until the required duration appears in the display.
 - Press the *Start/Stop* button.
- The Delay resumes from the beginning.

Adding laundry



You can add laundry while the Delay is still counting down:

- Switch off the dryer.
- Open the door and add the laundry.
- Close the door and switch on the dryer.


Program Overview

Normal	
Extra dry, Normal	
Fabrics	Single- and multi-layered cotton such as: hand towels, T-shirts, baby clothes.
Note	<ul style="list-style-type: none"> – <i>Select Extra dry</i> for multi-layered and extra thick fabrics. – Do not use <i>Extra dry</i> to dry jersey fabrics like T-shirts and baby clothes - they may shrink.
Gentle	To be selected for delicate fabrics with the care symbol  .
Hand iron, Rotary iron	
Fabrics	Cotton or linen fabrics. For example: Table linens, bed linens, starched laundry.
Note	– You can keep laundry moist if you roll it up until ready to iron it.
Gentle	To be selected for delicate fabrics with the care symbol  .
Wrinkle-free	
Extra dry, Normal, Hand iron	
Fabrics	Easy-care fabrics in synthetics, cotton or blends. For example: sweaters, dresses, trousers, skirts, tablecloths.
Note	<ul style="list-style-type: none"> – To reduce creasing even more, select <i>Hand iron</i> and reduce the load to 1.5 kg*. – Fabrics are dried with low creasing with the <i>Hand iron</i> drying program, depending on fabric type and load.
Gentle	To be selected for delicate fabrics with the care symbol  .
Mixed	
Normal, Hand iron	
Fabrics	Delicate items made of synthetic fibres, blends or cottons such as shirts, blouses, lingerie, appliqué fabrics.
Gentle	Unavailable.

Program Overview

Woolens	
Fabrics	Woolens.
Note	– Remove items immediately after the end of the program while still slightly damp. Allow items to air dry.
Gentle	Unavailable.
Smoothing	
Fabrics	– Cotton or linen fabrics. – Synthetics, cotton or blends. For example: cotton trousers, jackets, shirts.
Note	– Program to reduce creases formed during spin cycle in washer. – Remove garments immediately the program ends and air-dry
Gentle	Unavailable.
Express	
Normal, Hand iron	
Fabrics	Mixed loads of fabrics for the <i>Normal</i> and <i>Wrinkle-free</i> programs.
Dress shirts	
Normal, Hand iron	
Fabrics	Shirts and blouses.
Gentle	To be selected for delicate fabrics with the care symbol  .
Denim / Jeans	
Normal, Hand iron	
Fabrics	Denim material like trousers, jackets, skirts or shirts.
Gentle	To be selected for delicate fabrics with the care symbol  .

Program Overview

Timed cold	
Fabrics	– Any fabric needing airing.
Timed warm	
Fabrics	– Additional drying of multi-layered garments which dry unevenly owing to their design: e.g., jackets, pillows and voluminous fabrics. – Drying individual laundry items: e.g. bath towels, bathing suits, dish cloths.
Note	To start with, do not select the longest time. Determine the most suitable time by trial.
Tip:	Use <i>Timed warm</i> to remove or reduce unwanted odors from clean cotton clothing (duration: 1/2-1 hour). The freshening effect is reinforced if you moisten the clothing or use a sheet of fabric conditioner before airing them. Odor reduction will be less for synthetics.
Gentle	To be selected for delicate fabrics with the care symbol  .

Changing the program sequence

Switching over from a running program

As a protection against unintentional changes, program selection is no longer possible.

To be able to choose a new program, you must cancel the current program.

- Canceling and selecting a new program

- Press the *Start/Stop* button.

The load will be cooled down for a few minutes, until a specific drying time and temperature have been reached.

If you press the *Start/Stop* button again, the drum stops, *End* appears in the display.


- Switch the dryer off.
- Then, switch it on again.
- Select and start a new program immediately.

- Interrupting a program and removing laundry

- See below: "Loading or removing laundry".
- Turn the dryer off after closing the door.

Loading or removing laundry

- Press the *Door* button.
- Open the door.

 Danger of burning:
Do not touch the back of the drum when adding or removing items. Temperatures in the drum area can be high.

- Add or remove laundry as needed.
- Close the door.
- Press the *Start/Stop* button.

Time remaining

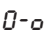
When the program sequence is changed, the time remaining as shown by the display may differ from the actual drying time.

Electronic lock

The lock function protects your dryer against unauthorized use.

You can activate this function whenever you wish.

It locks the dryer's electronics. It can be turned on, but no program can be started.

- In such a case, the *Gentle* indicator light flashes and a key symbol  appears in the display.


The door may be opened at any time, as it is not locked.

Activating the lock

Precondition:

- The dryer is switched off.
 - The door is closed.
- ➊ Press the *Gentle* button and keep it pressed until Step ➋.
 - ➋ Press the *I-On/O-Off* button in.
- The *Express* indicator light comes on.
- ➌ Slowly turn the program selector step by step through three positions clockwise.
The three program indicator lights must light up in succession.

- ➍ Slowly turn the program selector step by step through three positions counterclockwise.
The three program indicator lights must light up in succession.

The *Gentle* indicator light flashes and the key symbol  appears in the display.

- ➎ Release the *Gentle* button.

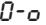
The lock function has been activated.

- You may turn off the dryer.

Deactivating the lock

Precondition:

- The dryer is switched off.
 - The door is closed.
- The procedure is as for "Activating the Lock". Perform steps ➊ to ➍.

At step ➍ the indicator light for the *Gentle* button no longer flashes and the  key symbol goes out.

The lock function has been deactivated.

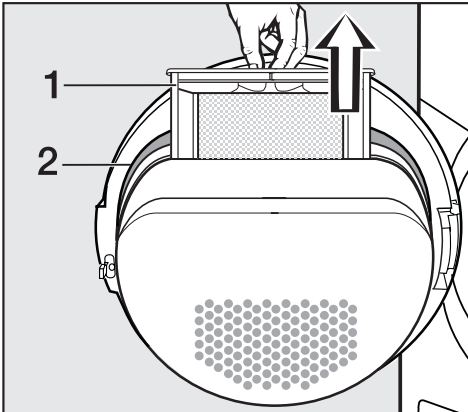
Cleaning door lint filter

The lint screen in the door casing collects lint generated by the drying process. Clean it after **every** drying*.

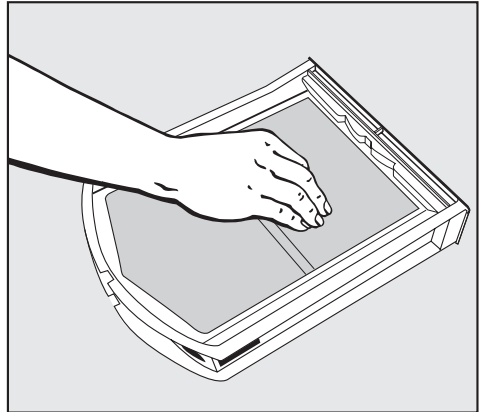
* Also check the lint screen when the *Filter/Vent* indicator light comes on.

Cleaning the lint screen without water

Tip: You can dispose of the lint without touching it by using a vacuum cleaner.



- Pull the lint screen (1) out of the door casing.



- Rub or vacuum the lint from the screen surface.
- Remove the lint from the space in the door casing with a bottle brush or the vacuum.
- Wipe the door casing seal (2) all around with a damp cloth.
- Insert the lint screen fully into the door casing and close the door.

Cleaning the lint screen with water

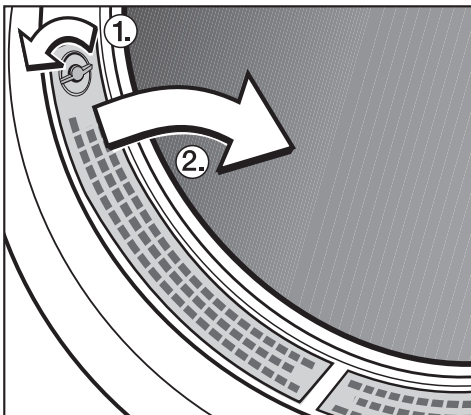
The lint screen should be given a wet cleaning **only** when it is severely blocked or plugged.

- Clean the lint screen under running hot water.
- Dry it thoroughly with care.

Cleaning and care

Cleaning port-hole grilles

Periodically clean the screens in the door opening as well as the air passage underneath the screens.



- Turn the left and right screen knobs ① (until you hear them click).
- Grasping the knobs, pull the lint screens out towards the center ②.
- Clean the screens under running hot water and dry them.
- Also clean the air passages underneath the screens, using a vacuum cleaner, for example.
- Insert the bottom of the screens and press the screens upwards.
- Latch both knobs (until you hear them click).

Cleaning the dryer

Disconnect the dryer from the electrical supply.

- Clean the housing, control panel and door seal only with a slightly damp cloth and mild detergent or soapy water.
- Clean stainless steel parts (like the drum) with a suitable stainless steel cleaner.

Use no scouring products, cleaners containing solvents, or glass or all-purpose cleaners. They can damage plastic surfaces and other parts.


- Dry all parts with a soft cloth.

What to do, if . . . ?

You can remedy most problems yourself. In many cases you can save time and expense, since you will not have to call in customer service.

The following tips should help you locate and remedy the cause of a problem.

Please note the following:

 Repairs to electrical appliances should only be carried out by qualified professionals. Work performed by unqualified persons can place the user at considerable risk.

Test and fault messages.

Problem	Cause	Solution
Cancelling a program ⏏ and End appear in the display The buzzer sounds.	This is not a fault. The electronics recognizes that there is no laundry in the drum and cancels the program. Drying of single or already dried laundry items can also lead to program cancellation.	In future, dry individual laundry items with the <i>Timed warm</i> program. Cancelling test message: – Open and close door
⏏ appears in the display. Gentle indicator light flashes.	The lock function has been activated.	If you wish to dry, you must disable the lock function (see "Electronic lock function").
Cancelling a program The buzzer sounds. Flashing display may show <i>Cold air</i> or <i>End</i>.	The cause is not immediately obvious.	– Switch the dryer off and then on again. – Start a program. If program interruption and error message occur, a fault is present. Contact Miele customer service.

Trouble shooting

Problem	Cause	Solution
<p>Filter/Vent indicator light goes on.</p>	<p>The indicator light shows that the dryer is not operating at its most efficient or economical. Possible causes: Blockage by lint or detergent residues.</p>	<ul style="list-style-type: none"> - As a rule, it is sufficient to clean the lint screens. Should that not be sufficient, then check all possible causes listed under "The drying cycle goes on too long or even switches off." <p>Cancelling test message:</p> <ul style="list-style-type: none"> - Open and close door
	<p>The dryer vent duct may be too long, which is not a dryer fault.</p>	<ul style="list-style-type: none"> - Pay attention to length and diameter when making duct calculation. See "Installing the vent duct". - Too long a vent duct will result in longer program times and higher energy consumption.
		<p>You can deactivate the <i>Filter/Vent</i> indicator lights (see section on "Programmable functions").</p>
<p>Cancelling a program Filter/Vent indicator light goes on. The buzzer sounds.</p>	<p>Possible causes and remedies are described above.</p>	<p>Cancelling the fault message:</p> <ul style="list-style-type: none"> - Open and close door - Start a program. - If the fault message comes back, call Customer Service.

Other faults		
Problem	Cause	Solution
<p>The drying process goes on too long or even switches off. Even after the lint screen is cleaned, the <i>Filter/Vent</i> indicator come on.</p>	<p>Please check all possible causes and switch the dryer off and then on again.</p>	
	Insufficient ventilation, perhaps because the installation space is too small.	Open a door or window and let in increased air flow.
	The door lint filter is blocked with lint.	Remove the lint.
	The vent ducting or its outlet is blocked with lint.	<ul style="list-style-type: none"> – Check all components of the venting (such as the wall pipe, external grill, elbows and bends, etc.) for unimpeded air flow. – Remove the lint.
	Clothes were insufficiently spin-dried.	In future, spin textiles in the washer at a higher rpm.
	The dryer is overloaded.	Verify the maximum load for each drying program.
<p>The laundry was not satisfactorily dried.</p>	<p>Metal components such as zippers have prevented the moisture level of the laundry from being determined accurately.</p>	<ul style="list-style-type: none"> – In future, open the zippers. <p>If the problem recurs, in future dry garments with long zippers using the <i>Timed warm</i> program.</p>
	<p>The load consisted of various fabrics.</p>	<ul style="list-style-type: none"> – Re-dry with <i>Timed warm</i>. – Next time, select a suitable program.

Trouble shooting

Problem	Cause	Solution
Synthetic-fiber laundry items are statically charged after drying.	Synthetics have a tendency to static discharges.	Using a fabric softener in the last rinse cycle can reduce static charge when drying.
There has been a lint buildup.	Drying releases fabric lint formed primarily from rubbing during wear but also, in part, from washing. The stress on fabrics in the dryer is minimal in relation to their strength.	Lint released is captured in the door lint filter and can be easily removed (see "Care and Cleaning").

Trouble shooting

Problem	Cause	Solution
<p>The Dress shirts, Denim/Jeans, and Timed cold programs will not start and the indicator lights for these programs do not come on.</p>	<p>The cause is not immediately obvious.</p>	<ul style="list-style-type: none"> – Switch the dryer off and then on again. – Select one of the programs. – If the program will still not start, there is a fault. Contact Miele customer service. – Meanwhile, use another program.
<p>The dryer will not start when switched on.</p>	<p>The cause is not immediately obvious.</p>	<ul style="list-style-type: none"> – Is the dryer switched on? – Is it plugged in? – Is the door closed? – Check fuses or circuit breakers.
<p>Drum lighting does not come on.</p>	<p>The lighting switches off automatically to save energy.</p>	<p>Switch the dryer off and on again.</p>
	<p>The bulb may need changing.</p>	<p>You can replace the bulb: See the end of this section.</p>

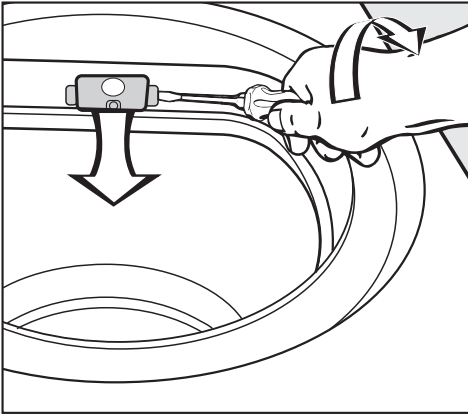
Trouble shooting

Replacing the light bulb

Disconnect the dryer from the electrical supply.

- Open the door.

The hinged cover for the lighting is over the port-hole.



- Gently insert an ordinary tool* under the side of the cover.

* such as a wide slot-type screwdriver

- Open the cover by pressing lightly while rotating your wrist.

The cover opens downwards.

The heat-resistant bulb should be obtained only from Miele customer service.

The bulb should be of the same type and maximum wattage indicated on the data plate and the lighting cover.

- Replace the bulb.
- Fold the cover upwards and press it on the right and left until you hear it latch.

⚠ Ensure that the cover is properly seated. If moisture gets inside it may cause a short-circuit.

Repairs

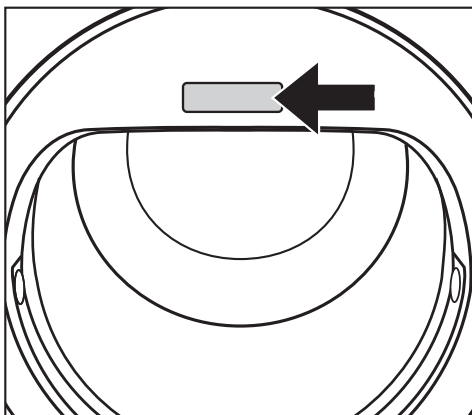
For faults you cannot correct yourself, please contact:

- the Miele Factory Repair Service.

The telephone number for the Factory Repair Service is listed at the back of these operating instructions.

When contacting the Miele Service Department, you will need to quote the model and serial number of your appliance.

These can be found on the data plate, visible when the door is open.



Program updates

The **PC** optical interface is used by Miele customer service to transfer program updates (PC = Program Correction) as well as for diagnose and testing.

In this way, future developments in fabrics and in the drying procedure can be integrated into your appliance.

Miele will give timely notification of Program updates.

Warranty conditions and warranty period

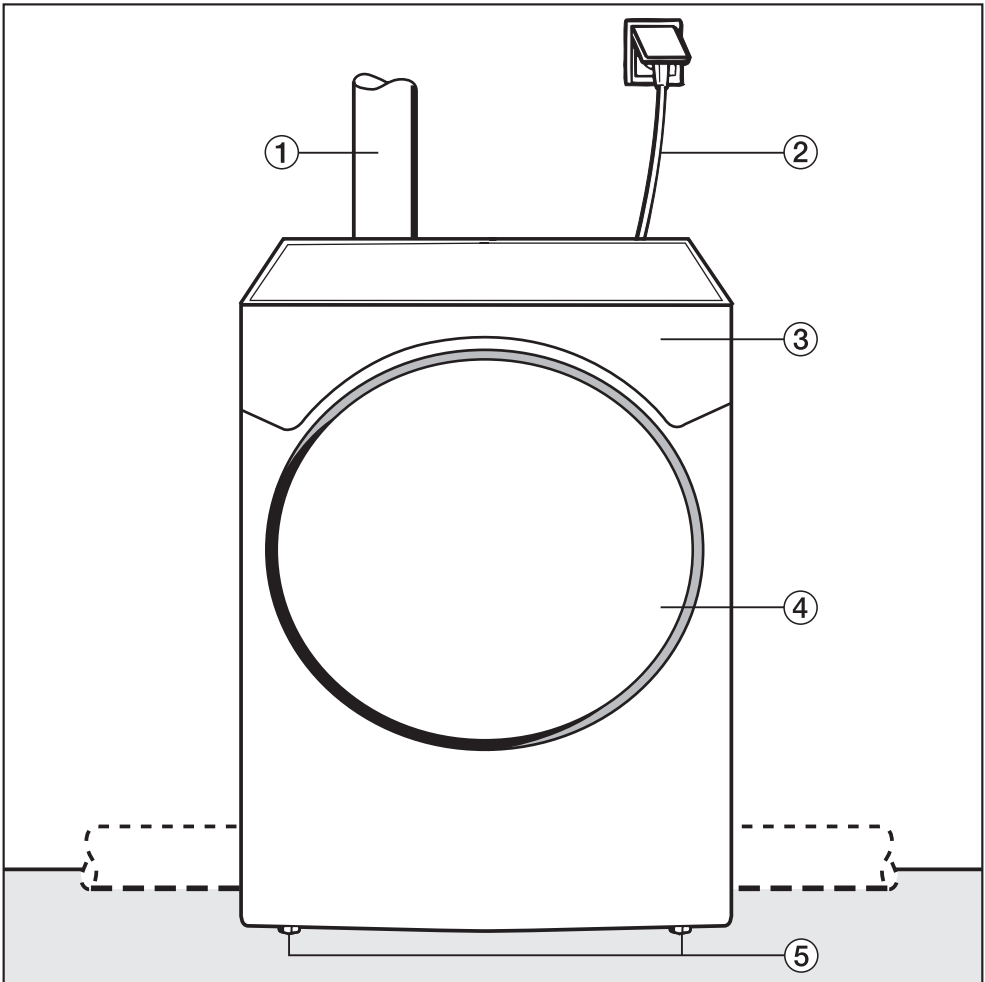
Warranty information can be found in your warranty booklet.

Optional accessories

Optional accessories for this dryer are available from Miele customer service.

Installation and connection

Front view



① Venting connection: The dryer vent duct can be connected to the rear of the machine (as supplied) or on either the right or left side.

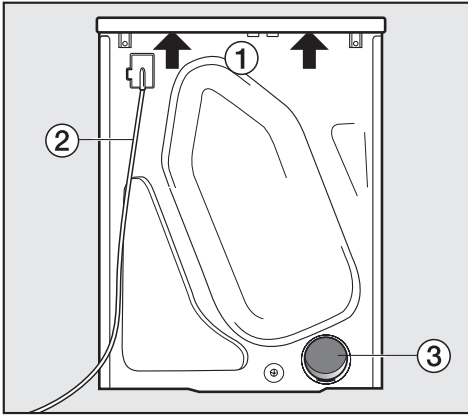
⑤ Four height-adjustable screw feet

② Power cord

③ Control panel

④ Door

Rear view



- ① Handgrips under the cover overhang for moving the appliance (arrows)
- ② Power cord
- ③ Rear venting connection

Installation site

This dryer can be accommodated under a worktop if there is sufficient height.

⚠ Do not install the dryer in a location where its door could conflict with room doors.

⚠ The appliance top is not removable.

Carrying the dryer to the installation site

The rear cover overhang provides handgrips for transport. To carry the dryer from its shipping base to the installation site, **use the front feet of the appliance and the rear top overhang.**

Washer-dryer stack

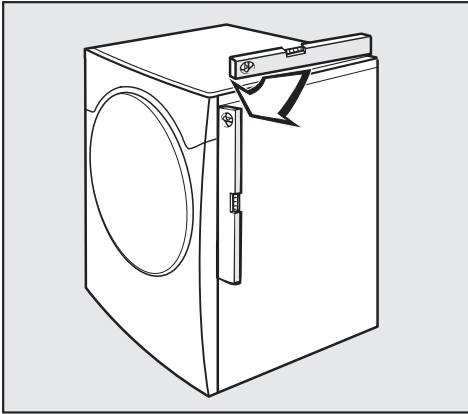
The dryer can be combined with a Miele automatic washer in a washer-dryer stack. For this, a "WTV 412" stacking unit* is required.

* Miele accessory available on order

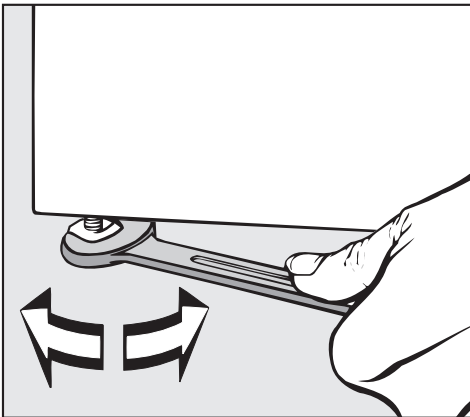
⚠ Installation of the stacking unit may be performed only by an authorized Miele technician.

Installation and connection


Leveling the dryer



To ensure trouble-free operation, the dryer must be perfectly level.



- Compensate for floor irregularities by turning the threaded feet in or out.

 Ensure that there is an air gap of at least 10 mm between the underside of the dryer and the floor. This air gap must not be restricted by power bars, high-nap carpets, etc. Otherwise, sufficient air flow cannot be guaranteed.

Ventilating the installation area

The air needed for drying is extracted from the installation space. You must therefore take measures for sufficient room ventilation, by opening windows for instance. Otherwise you can expect longer running times and higher energy consumption.

Electrical connections

GROUNDING INSTRUCTIONS

This appliance must be grounded. In the event of malfunction or breakdown, grounding will reduce the risk of electric shock by providing a path of least resistance for electric current. This appliance is equipped with a cord having an equipment grounding conductor and a grounding plug. The plug must be plugged into an appropriate outlet that is properly installed and grounded in accordance with all local codes and ordinances.

WARNING – Improper connection of the equipment grounding conductor can result in a risk of electric shock. Check with a qualified electrician or service representative or personnel if you are in doubt as to whether the appliance is properly grounded.

Do not modify the plug provided with the appliance! If it will not fit the outlet, have a proper outlet installed by a qualified electrician.

The dryer comes with a 5 ft long, 12/4 AWG cord and a NEMA 14-30 P plug.

It should be connected to a 120/208-240 V, 30 A, 60 Hz AC power supply. A 3 pole-4 wire grounding power outlet (NEMA type 14-30 R) is necessary.

The dryer is equipped with a power cable and plug ready for connection.

The plug must always be accessible to facilitate disconnecting the dryer from the electrical supply.

To eliminate a potential fire source, the dryer should NEVER be connected by means of extension cords, or by multi-outlet power strips or the like.

The appliance data plate indicates the nominal power consumption and the appropriate fuse capacity. Please compare the information on the data plate with the electrical network data.

Installing the dryer vent

General

Important

The dryer should only be operated when the moist air produced by drying is ducted to the outside, by means of: . . .

. . . a flexible venting house, or piping connected to the dryer, or
. . . a direct connection to a through-wall pipe.

- The appliance should not be electrically connected while the venting is being installed.
- The ducting outlet (for instance, a wall pipe) is to be located so that the moist air . . .
 - . . . cannot be drawn back into the dryer installation space;
 - . . . will cause no structural damage or unacceptable nuisance.
- Air required for drying is drawn from the installation space. Consequently, ensure that there is sufficient room ventilation when drying to prevent possible **asphyxiation** from the possibility of expelled gasses being drawn back into the room, as well as to prevent much longer drying times; for example:
 - Open windows;
 - fitting unblockable air inlets in the external wall;
 - install window switches, so that the dryer can only be turned on when the window is open.

Avoid:

- very long ducting systems.
- too many sharp bends or corners.

Otherwise you will have less efficient drying and increased time and energy consumption.

Use:

- for ventilation ducting: rigid or flexible metal ducting with a 100 mm diameter.
- for venting to the outside: a wall pipe or window vent kit.

Procedure

- First measure the duct length required. From this, calculate the total duct length and determine the required diameter (see the next pages). Note that a greater overall duct length requires a larger pipe diameter.
- Then, decide which type of ducting you wish to use (see "Installing Venting Systems" in this section).

Calculating total duct length

Each of bends and differing components of the dryer's venting creates its own frictional resistance to the flow of the exhaust air. This frictional resistance is expressed in a **comparative duct length**. The comparative duct length indicates the length of a smooth straight pipe (of the same diameter), producing the same resistance to air flow as the original ducting component (Table I).

Adding together the comparative duct lengths of all components reveals the **total duct length**. The total duct length is a calculated value that compares how long a smooth straight venting pipe would have to be for the same air flow.

Since an **internal pipe diameter** strongly affects flow's resistance, a vent with a total duct length **exceeding 20 m** requires a larger diameter (Table II).

Procedure

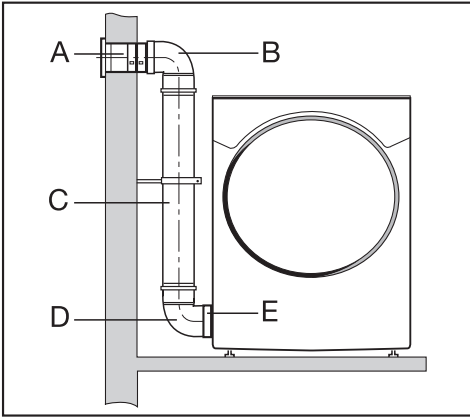
1. Measure the distance requiring straight ducting. Multiply this value by the corresponding comparative pipe length from **Table I**.
2. Determine the number of bends and components required. Add their comparative lengths together using **Table I**.
3. Add together all the comparative lengths thus determined: Thus you obtain the total duct length.
4. From **Table II**, determine which internal duct diameter is required for the total duct length.

Table I	
Components	Comparative duct length
Flexible ducting	
– 1 m laid <u>straight</u>	1.8 m
– 45° bend (Bend radius = 0.25 m)	1.5 m
– 90° bend (Bend radius = 0.25 m)	2.5 m
Vent hose(flexible or Alu-Flex)	
– 1 m laid <u>straight</u> or 1 m straight pipe	1.0 m
– 45° bend (Bend radius = 0.25 m)	0.6 m
– 90° bend (Bend radius = 0.25 m)	0.8 m
Wall vent kit or window vent kit	
– with grill insert	3.8 m
– with non-return flap (hinged flap)	1.5 m
Non-return flap* for integration into the vent ducting (see section "Ⓞ Vent collector duct")	14.3 m
Flat duct (for stacked arrangement)	11.0 m
Left or right dryer vent opening	1.0 m
* Miele accessory available on order	

Table II	
Maximum permissible total duct length	Diameter required
20 m	100 mm
40 m	125 mm
100 m	150 mm

Installing the dryer vent

Calculation example



A	Wall pipe, with grill insert	= 1 x 3.8 m Comparative duct length	= 3.8 m
B/D	2 elbows, 90°	= 2 x 0.8 m Comparative duct length	= 1.6 m
C	0.5 m plastic piping	= 0.5 x 1 m Comparative duct length	= 0.5 m
E	Left side vent opening	= 1 m Comparative duct length	= 1.0 m
Total duct length			= 6.9 m

Result: Total duct length is less than 20 m (as per Table II). Therefore a pipe diameter of 100 mm is adequate.

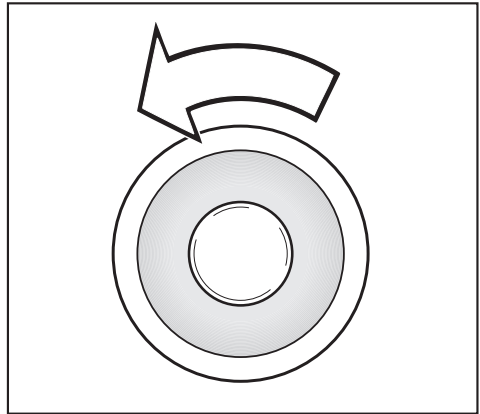
Rear or side exhaust connection

At the rear

Dryer is delivered with this connection open.

- Install the vent duct as described on the following pages.

Sideways to left or right



- Unscrew the cover (counterclockwise).
- Refit the cover securely in the rear vent outlet.
- Install the vent duct as described on the following pages.

Installing the dryer vent

Overview of vent systems

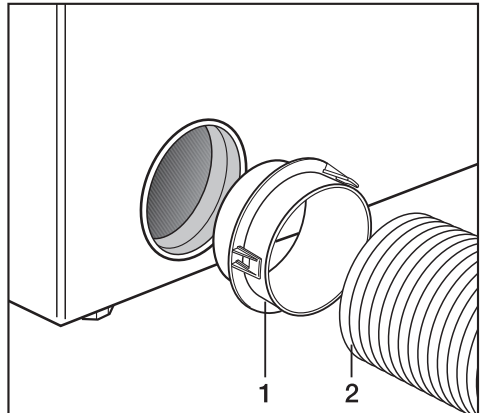
On this and the following pages you will find descriptions of four venting systems (A B C D) that can be installed on the dryer.

A Flexible metal duct hose

Using the adapter provided, you can easily install a venting duct house (diameter 100 mm).

You require

- a duct hose (flexible or Alu-Flex).
- a wall pipe kit or a window vent kit.



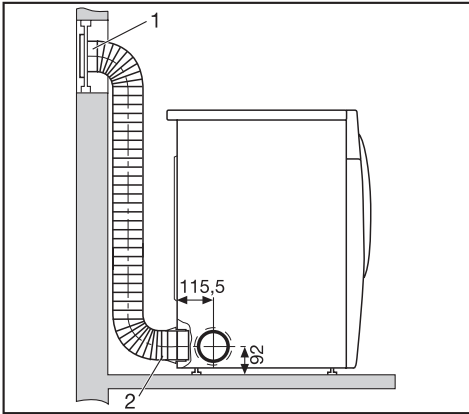
- Install the pipe (2) on the dryer using an adapter (1).

Examples are shown on the next page.

Installing the dryer vent

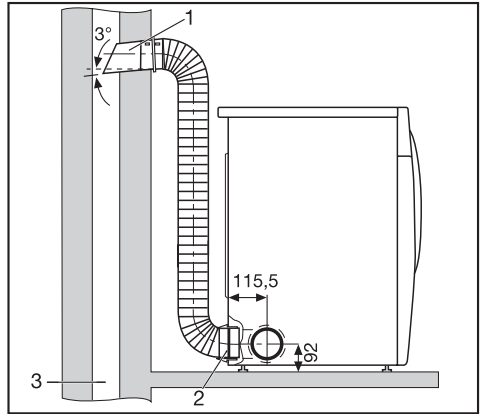
Examples:

Window vent




1. Window vent kit (fitted in plexiglass pane)
2. Adapter for flexible vent hose

Connection to exhaust flue



1. Pipe with connector
2. Adapter for flexible vent hose
3. Exhaust flue, insulated against damp

 Ducting must not be connected to a fireplace or gas flue that is in use, nor to ducting which ventilates rooms with fireplaces.

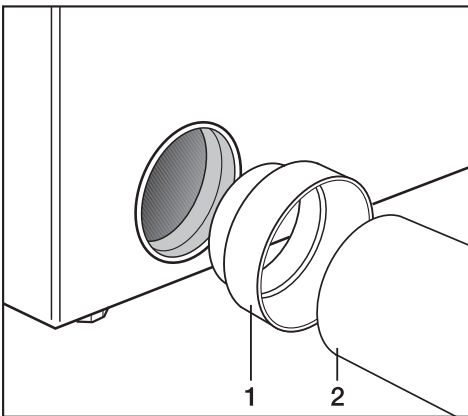
Ⓑ Dryer vent systems from metal piping

Smooth piping makes sense where the vented air has to be carried a considerable distance. A pipe offers less resistance to the discharge air than does, for instance, a flexible ventilation duct. Time and energy consumption improve with smooth piping.

You require

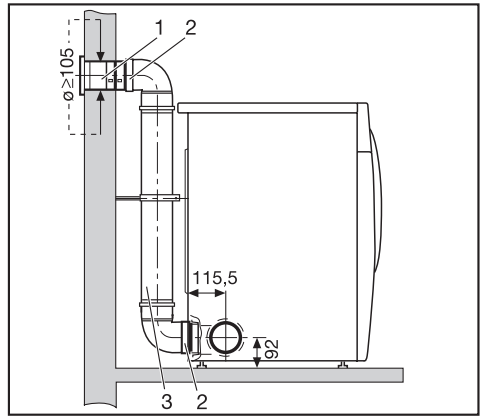
- a connector adapter* (diameter 100 mm).
- a wall pipe kit or a window vent vent kit.
- Metal venting pipe from a builder or plumbing supplier (diameter 100 mm). If a larger pipe diameter is needed, adapters are necessary (for example, to transition from 100 to 125 mm diameters).

* Miele accessory available on order



- Install the pipe (2) in the dryer using an adapter (1).

Example



1. Wall vent kit
2. Adapter
3. Metal dryer venting pipe, diameter 4" (100 mm).

Installing the dryer vent

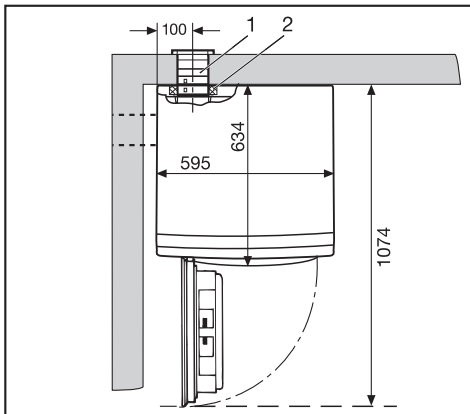
Ⓒ Connecting directly to a wall vent

If you can place the dryer directly against the external wall of the room, this vent configuration is advantageous. The short overall pipe length has a beneficial effect on time and energy consumption. However, you must make an opening in the wall to install the wall kit.

You will need a wall pipe kit as well as a flexible spacer ring.

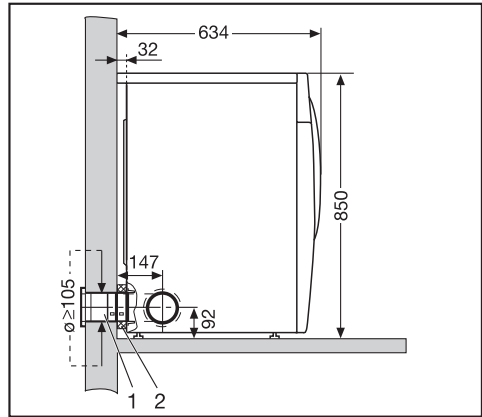
- 1 Before breaking through the wall...
... read the installation instructions accompanying the kit.
... and study the following dimensional drawings.

View from above:

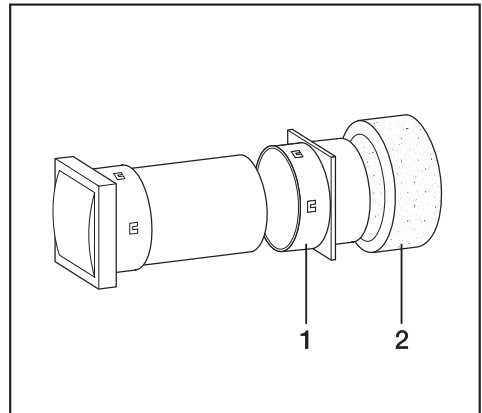


1. Wall pipe
2. Flexible foam gasket

Side view:

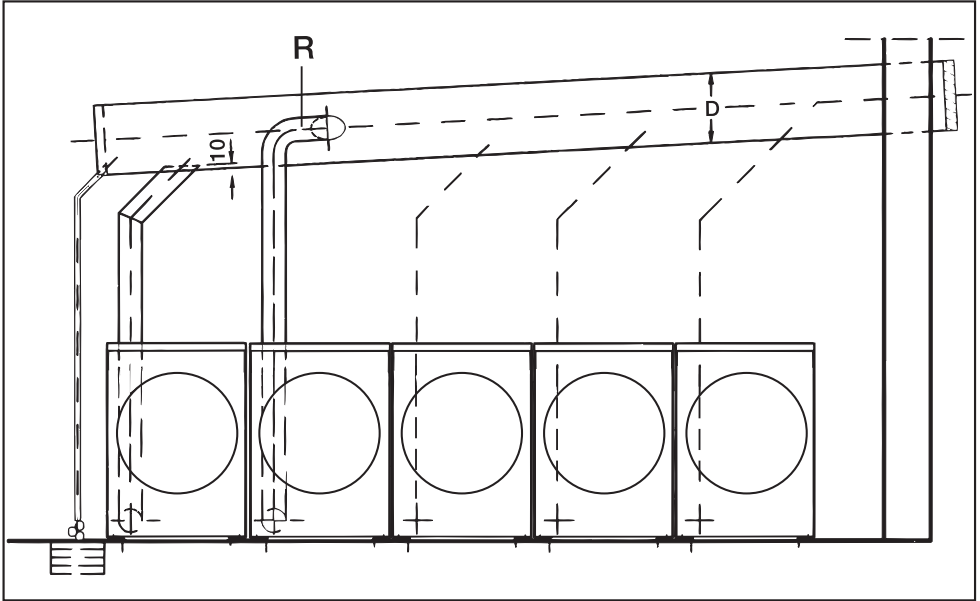


1. Wall pipe
2. Flexible foam gasket



- 2 Fit the flexible foam gasket (2) onto the wall pipe adapter (1).
- 3 Push the dryer up against the wall.

D Vent collector duct

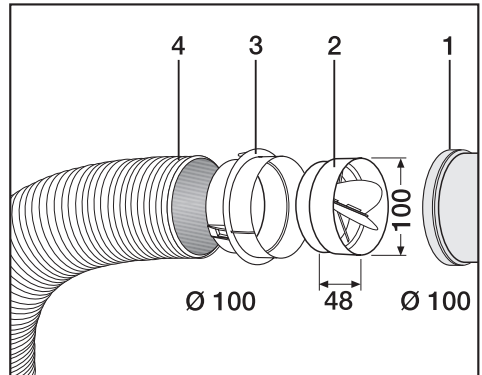


To prevent condensed water buildup in the non-operating dryers:

- For each dryer, install a non-return flap **R** directly on the collector duct. You will need an optional Miele accessory* (see right) for this.

When installing from 3 to a maximum of 5 dryers, the pipe diameter **D** must be enlarged.

Number of dryers	Pipe diameter multiplication factor from Table II
1-2	1
3	1,25
4 - 5	1,5

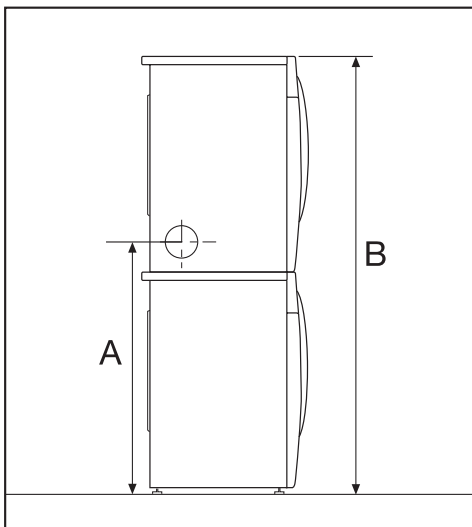


- 1 Connection to connection duct
- 2 Miele non-return flap*
- 3 additional Miele Adapter*
- 4 Vent hose, flexible

- Press the non-return flap(2) fully into the Adapter (3).

Installing the dryer vent

Washer-dryer stack



WTV 412 Stacking unit* without
worktop:

A = 94.2 cm

B = 170 cm

* Miele accessory available on order

Technical data

Height	850 mm
Width	595 mm
Depth	634 mm
Depth with door open	1,074 mm
Can be pushed under a worktop	Yes
– Height	850 mm
– Width	600 mm
Suitable for stacking	Yes
Weight	46 kg
Drum Volume	111 liters
Length of power cord	2 m
Voltage] see data plate
Connected load (Watts)	
Rated current (Amps)	
Light bulb wattage	
Test certifications granted	

Programmable functions for changing standard values

As needed, you can use programmable functions to adapt the dryer electronics to changing requirements.

You can alter programmable functions at any time.

Extending the range of drying levels

You can extend the range of the drying levels for many of the programs:

Rotary iron+

(drier than Rotary Iron).

Hand iron+

(drier than Hand iron).

Normal +

(drier than Normal).

Additionally, the *Extra dry level* can be selected for the *Mixed* and *Denim Jeans* programs.

This programmable function is also effective in the following programs:

Normal, *Wrinkle free**, *Mixed**,
Express, *Denim/Jeans*

(* no Rotary iron+).

For programming and saving in the memory, follow steps ❶ to ❺.

The programmable function is programmed using the buttons.

Precondition:

– The dryer is switched off.

– The door is closed.

❶ Press *Start/Stop* and keep it pressed it during steps ❷-❸.

❷ Press the *I-On/O-Off* button in.

Wait until the *Start/Stop* button lights up continuously . . .

❸ . . . then release the *Start/Stop* button.

– The *Gentle* indicator light flashes twice briefly.

– *P* and *D* flash alternatively in the display (default setting).

The number appearing alternatively with *P* means:

D Default setting

I Drying range steps added

(*Express* indicator light also flashes)

❹ Pressing the *Start/Stop* button switches from one to the other.

❺ Using the *I-On/O-Off* button, switch the dryer off.

The programming is now stored in memory. You can change it again at any time.

To select the extended drying level:

■ Select a program.

■ Press the drying level button repeatedly until one or two indicator lights come on.

– Indicator lights *Extra dry* and *Normal* = Normal+

– Indicator lights *Normal* and *Hand iron* = Hand iron+

– Indicator lights *Hand iron* and *Rotary iron* = Rotary iron+

Programmable functions

Adjusting buzzer volume

The buzzer has two volumes.

For programming and saving in memory, follow steps ❶ to ❺.

This function is programmed using the buttons.

Precondition:

- The dryer is switched off.
- The door is closed.
- ❶ Press *Start/Stop* and keep it pressed it during steps ❷–❸.
- ❷ Press the *I-On/O-Off* button in.

Wait until the *Start/Stop* button lights up continuously . . .

- ❸ . . . then release the *Start/Stop* button.
- ❹ Press the *Gentle* button once.
 - The *Gentle* indicator light flashes briefly four times.
 - *P* and *I* flash alternately in the display (default setting).

The number appearing alternately with *P* means:

I **Buzzer normal**
(default setting)

I **Buzzer loud**
(*Express* indicator light also flashes)

- ❺ Pressing the *Start/Stop* button switches from one number to the other, and you simultaneously hear the buzzer setting.
- ❻ Using the *I-On/O-Off* button, switch the dryer off.

The programming is now stored in memory. You can change it again at any time.

Set memory function

The electronics memorizes any selected program with extra options. The duration of a *Smoothing* program will also be stored in memory. These settings will be used for the next drying. They can be accepted, or changed by using the buttons.

For programming and saving in memory, follow steps ❶ to ❺.

The programmable function is programmed using the buttons.

Precondition:

- The dryer is switched off.
- The door is closed.
- ❶ Press *Start/Stop* and keep it pressed it during steps ❷–❸.
- ❷ Press the *I-On/O-Off* button in.

Wait until the *Start/Stop* button lights up continuously . . .

- ❸ . . . then release the *Start/Stop* button.
- ❹ Press the *Gentle* button twice.
 - The *Gentle* indicator light flashes briefly six times.
 - *P* and *D* flash alternately in the display (default setting).

The number appearing alternately with *P* means:

I **Memory**

(*Express* indicator light also flashes)

D **no Memory**

(default setting)

- ❺ Pressing the *Start/Stop* button switches from one to the other.
- ❻ Using the *I-On/O-Off* button, switch the dryer off.

The programming is now stored in memory. You can change it again at any time.

Programmable functions

Extending cooldown time

You can individually lengthen the cooldown phase the occurs before the end of a program. Fabrics will be more completely cooled down.

Cooldown time

- can be extended by two stages.
- it does not function for *Smoothing* programme.

For programming and saving in memory, follow steps ❶ to ❺.

The programmable function is programmed using the buttons.

Precondition:

- The dryer is switched off.
 - The door is closed.
- ❶ Press *Start/Stop* and keep it pressed it during steps ❷–❸.
 - ❷ Press the *I-On/O-Off* button in.

Wait until the *Start/Stop* button lights up continuously . . .

- ❸ . . . then release the *Start/Stop* button.
 - ❹ Press the *Gentle* button three times.
- The *Gentle* indicator light flashes briefly seven times.
 - *P* and *D* flash alternatingly in the display (default setting).

The number appearing alternatingly with *P* means:

D Default setting

1 **Five minutes longer cooldown time**
(*Express* indicator light will flash once)

2 **Ten minutes longer cooldown time**
(*Express* indicator light will also flash twice)

❺ Pressing the *Start/Stop* button switches from one to the other.

❻ Using the *I-On/O-Off* button, switch the dryer off.

The programming is now stored in memory. You can change it again at any time.

Change function of Filter/Vent indication

Lint should be removed after drying. At the same time, the *Filter/Vent* indicator light reminds you to do so as soon as a certain degree of lint has accumulated. You can yourself decide which degree of lint accumulation will trigger that reminder.

Determine by trial and error which of the four options responds to your drying practices.

For programming and saving in memory, follow steps ❶ to ❷.

The programmable function is programmed using the buttons.

Precondition:

- The dryer is switched off.
- The door is closed.

❶ Press *Start/Stop* and keep it pressed it during steps ❷-❸.

❷ Press the *I-On/O-Off* button in.

Wait until the *Start/Stop* button lights up continuously . . .

❸ . . . then release the *Start/Stop* button.

❹ Press the *Gentle* button four times.

- The *Gentle* indicator light flashes once slowly.
- *P* and *Z* flash alternately in the display (default setting).

The number appearing alternately with *P* means:

❶ **The *Filter/Vent* indicator is deactivated**

❷ **The *Filter/Vent* indicator comes on only when there is a heavy lint buildup**

(*Express* control light additionally flashes once)

❸ **default setting**

(the *Express* indicator light also flashes twice)

❹ **The *Filter/Vent* indicator will come on when there is only a light lint buildup**

(The *Express* indicator light also flashes three times)

❺ Pressing the *Start/Stop* button switches from one to the other.

❻ Using the *I-On/O-Off* button, switch the dryer off.

The programming is now stored in memory. You can change it again at any time.

Programmable functions

Adjust keypad tone

An audible tone sounds every time a button is pressed.

For programming and saving in memory, follow steps ❶ to ❷.

The programmable function is programmed using the buttons.

Precondition:

- The dryer is switched off.
- The door is closed.

- ❶ Press *Start/Stop* and keep it pressed it during steps ❷–❸.
- ❷ Press the *I-On/O-Off* button in.

Wait until the *Start/Stop* button lights up continuously . . .

- ❸ . . . then release the *Start/Stop* button.
- ❹ Press the *Gentle* button five times.
 - The *Gentle* indicator light flashes once slowly and once briefly.
 - *P* and *🔊* flash alternately in the display (default setting).

The number appearing alternately with *P* means:


🔊 **no Keypad tone**
(default setting)

I **Keypad tone on**
(*Express* indicator light also flashes)

- ❺ Pressing the *Start/Stop* button switches from one to the other.
- ❻ Using the *I-On/O-Off* button, switch the dryer off.

The programming is now stored in memory. You can change it again at any time.

Changing water conductivity setting

 This programmable function should be adjusted only when residual water content is erroneously determined owing to the extreme softness of the water.

Important condition

The water in which fabrics are washed may be extremely soft with a conductivity value less than 150 $\mu\text{S}/\text{cm}$. Drinking water conductivity can be ascertained from your local water supplier.

Activate this programmable function only if the above-mentioned condition applies. Otherwise the drying result will be unsatisfactory.

For programming and saving in memory, follow steps ① to ⑤.

The function is programmed using the buttons.

Precondition:

- The dryer is switched off.
- The door is closed.

① Press *Start/Stop* and keep it pressed it during steps ②-③.

② Press the *I-On/O-Off* button in.

Wait until the *Start/Stop* button lights up continuously . . .

③ . . . then release the *Start/Stop* button.

④ Press the *Gentle* button six times.

- The *Gentle* indicator light flashes once slowly and twice briefly.
- *P* and *D* flash alternately in the display (default setting).

The number appearing alternately with *P* means:

D Default setting

I Lower conductivity setting

(*Express* indicator light also flashes)

⑤ Pressing the *Start/Stop* button switches from one to the other.

⑥ Using the *I-On/O-Off* button, switch the dryer off.

The programming is now stored in memory. You can change it again at any time.



Miele Limited

Headquarters and Showroom

161 Four Valley Drive

Vaughan, ON L4K 4V8

Phone: 800-643-5381

905-660-9936

Fax: 905-532-2290

www.miele.ca

professional@miele.ca (commercial enquiries)

MieleCare National Service

Phone: 800-565-6435

905-532-2272

Fax: 905-532-2292

customercare@miele.ca (general and technical enquiries)