

# Operating and Installation Instructions






## Wine conditioning unit



To prevent accidents and machine damage, read these instructions **before** installation or use.

# Contents

---

<b>IMPORTANT SAFETY INSTRUCTIONS</b> .....	5
<b>Caring for the environment</b> .....	13
<b>How to save energy</b> .....	14
<b>Guide to the appliance</b> .....	15
Control panel .....	15
Explanation of symbols .....	16
Door opening aid.....	18
<b>Accessories</b> .....	19
Accessories supplied .....	19
Optional accessories.....	19
<b>Switching the appliance on and off</b> .....	20
Before first use .....	20
Operating the wine conditioning unit .....	20
Switching the wine conditioning unit on .....	20
Switching the wine unit off .....	21
Turning off the wine unit in Sabbath mode .....	21
Turning off for longer periods of time .....	21
<b>Selecting additional settings</b> .....	22
Safety lock  .....	22
Acoustic signals  .....	23
Display brightness  .....	24
Sabbath mode  .....	25
<b>Optimum temperature and air quality</b> .....	27
Temperature .....	27
Sets the temperature.....	28
Temperature range .....	29
Temperature display .....	29
Air quality and humidity.....	29
DynaCool (constant humidity)  .....	30
Air filtration with the Active AirClean filter .....	31
<b>Temperature and door alarm</b> .....	32
<b>Feature lighting</b> .....	34
Turning the feature lighting on and off.....	34
Setting the brightness of the feature lighting .....	34
Lighting duration of the feature lighting .....	35

<b>Storing wine bottles</b> .....	36
Wooden shelves .....	36
Moving the wooden shelves.....	37
Adjusting the wooden shelves .....	38
Labeling wooden shelves.....	38
Securing bottle holders .....	39
Inserting the decor shelf.....	39
Maximum capacity .....	40
<b>SommelierSet</b> .....	41
Setting up the SommelierSet .....	41
Fitting the runner covers .....	41
Inserting the glass holder.....	42
Inserting the bottle holder .....	42
<b>Automatic defrosting</b> .....	43
<b>Cleaning and care</b> .....	44
Cleaning agents.....	44
Before cleaning the wine conditioning unit .....	45
Interior, accessories and appliance door .....	45
Cleaning the ventilation grilles.....	45
Cleaning the door seal .....	45
Cleaning the air filter.....	46
<b>Active AirClean filter</b> .....	47
Replacing the Active AirClean filter .....	47
<b>Frequently asked questions</b> .....	49
<b>Causes of noises</b> .....	54
<b>Technical Service</b> .....	55
MieleCare .....	55
<b>Information for dealers</b> .....	56
Demo mode ■.....	56
<b>Electrical connection</b> .....	58
<b>Installation information</b> .....	59
Installation location .....	59
Side-by-side.....	59
Climate class .....	60
Ventilation.....	61
Before installing the wine conditioning unit.....	61

# Contents

---

Door opening angle limiter .....	62
Installation dimensions.....	63
View from above.....	64
<b>Adjusting the door hinge .....</b>	<b>65</b>
<b>Reversing the door hinge .....</b>	<b>66</b>
<b>Installing the wine conditioning unit.....</b>	<b>71</b>
Setting up the wine conditioning unit.....	72
Aligning the wine conditioning unit to taller furniture doors.....	74
Pushing the wine conditioning unit into the niche.....	75
Securing the wine conditioning unit in the niche .....	75
Adjusting the lateral alignment of the appliance door.....	77

# IMPORTANT SAFETY INSTRUCTIONS

When using the appliance, follow basic safety precautions, including the following:


Read all instructions before installation and use to prevent accidents and machine damage.

This wine conditioning unit complies with all statutory safety requirements. Please note that inappropriate use can lead to personal injury and damage to property.

To avoid the risk of accidents and damage to the appliance, please read these instructions carefully before using it for the first time. They contain important notes on installation, safety, use and maintenance.

Miele cannot be held liable for non-compliance with these instructions.

Keep these instructions in a safe place and ensure that new users are familiar with the contents. Pass them on to any future owner.

 Glass breakage!

Danger of injury from broken glass.

If installed at altitudes above 4,900 ft (1,500 m) there is a risk of the glass in the door breaking because of changes in air pressure. Shards of glass can cause severe injury if not handled with care.

## Use

- ▶ This wine conditioning unit is intended for use in domestic households and similar working and residential environments. It is not intended for outdoor use.
- ▶ The wine conditioning unit is intended for domestic use only for storing wine. It must not be used for any other purpose.

## IMPORTANT SAFETY INSTRUCTIONS

---

▶ The wine conditioning unit is not suitable for storing and keeping cool medicines, blood plasma, laboratory preparations or other such materials or products. Incorrect use of the wine conditioning unit for such purposes can cause deterioration of the items stored. The wine conditioning unit is not suitable for use in areas where there is a risk of explosion.

Miele cannot be held liable for damage resulting from improper or incorrect use of the appliance.

▶ Persons who lack physical, sensory or mental abilities, or experience with the appliance should not use it without supervision or instruction by a responsible person..

Those persons may operate the wine conditioning unit unsupervised only if they have been shown how to use it in a safe way and recognize and understand the consequences of incorrect operation.

### **Children**

▶ Children near the wine conditioning unit must be supervised. Do not let children play with the wine conditioning unit.

▶ Ensure that any packing material is disposed of safely and kept out of the reach of children. Danger of suffocation!

### **Technical safety**

▶ If the power cord is damaged, it must be replaced by a Miele authorized technician in order to protect the user from harm.

▶ The coolant system is tested for leaks. The wine conditioning unit complies with statutory safety requirements and the appropriate directives.

## IMPORTANT SAFETY INSTRUCTIONS

---

► This appliance contains the refrigerant Isobutane (R600a), a natural gas which is environmentally friendly. Although it is combustible, it does not damage the ozone layer and does not increase the greenhouse effect.

The use of this refrigerant has, however, led to a slight increase in the noise level of the appliance. In addition to the noise of the compressor, you might be able to hear the refrigerant flowing around the system. This is unavoidable, and does not have any adverse effect on the performance of the appliance.

Care must be taken during the transportation and setting up of the appliance that no parts of the cooling system are damaged. Leaking refrigerant can cause severe irritation to the eyes.

In the event of any damage:

- avoid open flames and anything that creates a spark,
- disconnect the appliance from the electrical power supply,
- air the room where the wine conditioning unit is located for several minutes, and
- contact Miele Technical Service

## IMPORTANT SAFETY INSTRUCTIONS

---

- ▶ The more coolant there is in a wine conditioning unit, the larger the room it should be installed in. In the event of a leakage, if the appliance is in a small room, there is the danger of combustible gases building up. For every 0.28 oz (8 g) of coolant at least 35.3 cubic feet (1 m<sup>3</sup>) of room space is required. The amount of coolant in the wine conditioning unit is stated on the data plate inside the appliance.
- ▶ To avoid the risk of damage to the wine conditioning unit, make sure that the connection data (fuse rating, frequency and voltage) on the data plate corresponds to the household supply. Check that this is the case before connecting the wine conditioning unit. Consult a qualified electrician if in any doubt.
- ▶ The electrical safety of the wine conditioning unit can only be guaranteed when correctly earthed. It is essential that this standard safety requirement is met. If in any doubt please have the electrical installation tested by a qualified electrician.
- ▶ Reliable and safe operation of the wine conditioning unit can only be guaranteed if it is connected to the power supply.
- ▶ Do not connect the appliance to the electrical supply with a power bar or extension cord. These are a fire hazard and do not guarantee the required safety of the appliance.
- ▶ Do not use the appliance in areas where there may be moisture or splashing water (e.g., garages, laundry rooms, etc.). Moisture can reach the electrical components and cause a short circuit.



## IMPORTANT SAFETY INSTRUCTIONS

---

- ▶ This wine conditioning unit must not be used in a non-stationary location (e.g. on a ship).
- ▶ Before installation and use check the wine conditioning unit for any visible damage. Do not operate or install a damaged appliance.
- ▶ To ensure safe operation, use the wine conditioning unit only when it has been installed.
- ▶ The wine conditioning unit must be disconnected from the power supply during installation, maintenance and repair work. The appliance is only disconnected from the power supply if:
  - the circuit breaker has been tripped, or
  - the screw-type fuses on the electrical service panel have been removed or
  - the power cord has been unplugged. Pull on the plug and not on the cord when removing it from the outlet.
- ▶ Installation, repair, and maintenance work should only be performed by a Miele-authorized service technician.  
Work by unqualified persons could be dangerous and may void the warranty.
- ▶ Repairs and other work performed by unauthorized persons could be dangerous and may void the warranty.
- ▶ Defective components should only be replaced by Miele original parts. Only with these parts can the manufacturer guarantee the safety of the appliance.

# IMPORTANT SAFETY INSTRUCTIONS

---

## Proper use

- ▶ The wine conditioning unit is designed for use within a certain climate range (ambient temperatures) and should not be used outside this range. The climate range for your wine conditioning unit is stated on the data plate inside the appliance. Installing it in a room with too low an ambient temperature will cause the compressor to shut down for longer periods of time so that the unit cannot maintain the required temperature.
- ▶ Do not cover or block the air vents. This can impair the efficiency of the appliance, increase the power consumption and cause damage to the appliance.
- ▶ If the wine conditioning unit is used for storing food which contains fat or oil, make sure that it does not come into contact with plastic components as any spillages of oil or fat could cause stress cracks to the plastic and cause it to break or split.
- ▶ Do not store explosive materials in the wine conditioning unit or any products containing propellants (e.g. spray cans). Electrical components could cause flammable vapors to ignite. Danger of fire and explosion.
- ▶ Do not operate any electrical equipment inside the wine conditioning unit. Danger of sparking and explosion.
- ▶ Use only genuine original Miele parts. If parts or accessories from other manufacturers are used, the warranty may become invalid.

## Cleaning and care

- ▶ Do not use any oil or grease on the door seals. They can cause the seals to deteriorate over time.
- ▶ Do not use a steam cleaning appliance to clean this wine conditioning unit. The steam could reach electrical components and cause a short circuit.

## IMPORTANT SAFETY INSTRUCTIONS

---

- ▶ Sharp edged or pointed objects will damage the evaporator, causing irreversible damage to the wine conditioning unit. Do not use sharp edged or pointed objects to
  - remove frost and ice,
  - remove labels, stickers etc.

# IMPORTANT SAFETY INSTRUCTIONS

---

## Transport

- ▶ Always transport the wine conditioning unit in an upright position and in its original transport packaging to avoid damage in transit.
- ▶ Danger of injury and damage. The wine conditioning unit is very heavy and must be transported by two people.

## Disposing of your old appliance

- ▶ There is a risk of suffocation. Children playing can shut themselves in and suffocate.
  - Take the door(s) off.
  - Remove the drawers.
  - Leave the storage shelves in the appliance so that children cannot easily climb into the appliance.
- ▶ Danger of electric shock.
  - Cut off the plug from the power cord and discard.
  - Cut off the power cord from the discarded appliance. Dispose of separately from the appliance.
- ▶ Ensure during and after disposal that the appliance isn't stored in the vicinity of gasoline or other flammable vapors and liquids.
- ▶ When disposing of the appliance, ensure that the refrigeration circuit is not damaged to prevent uncontrolled escape of the refrigerant it contains (data on type plate) and oil.
- ▶ Splashes of coolant can cause damage to the eyes. Be careful not to damage any part of the pipework while awaiting disposal, e.g. by
  - puncturing the coolant channels in the evaporator,
  - kinking any pipework,
  - scratching the surface coating.

### Disposal of packaging material

The packaging is designed to protect the wine conditioning unit from damage during transportation. The packaging materials used are selected from materials which are environmentally friendly for disposal and should be recycled.

Ensure that any plastic wrappings, bags, etc. are disposed of safely and kept out of the reach of children. Return the packaging to your dealer.

### Disposal of your old appliance

Electrical and electronic appliances contain valuable materials. They also contain certain substances, compounds and components which were essential for the proper functioning and safe use of the equipment. Handling these materials improperly by disposing of them in your household waste can be harmful to your health and the environment. Therefore, please do not dispose of your old appliance with regular household waste and follow local regulations on proper disposal.

Consult with local authorities, dealers or Miele in order to dispose of and recycle electrical and electronic appliances. Miele assumes no responsibility for deleting any personal data left on the appliance being disposed.

Take care not to damage the pipework at the back of your wine conditioning unit before or during transportation to an authorized, environmentally friendly collection depot.

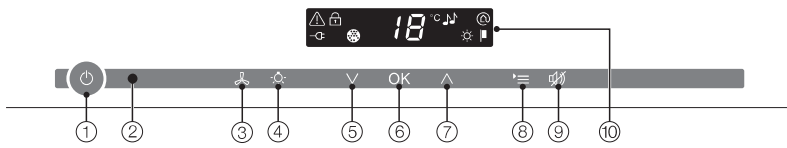
This way, coolant in the pipework and oil in the compressor will be contained, and will not leak into the environment.

Please ensure that your old appliance does not pose a danger to children while being stored prior to disposal. See "IMPORTANT SAFETY INSTRUCTIONS" for more information.

## How to save energy

	<b>Normal energy consumption</b>	<b>Increased energy consumption</b>
<b>Installation / Maintenance</b>	In a well-ventilated room.	In an enclosed, poorly ventilated room.
	Protected from direct sunlight.	In direct sunlight.
	Away from a heat source (radiator, oven).	Near a heat source (radiator, oven).
	Where the ideal room temperature is approx. 68°F (20°C).	Where there is a high ambient room temperature.
	Air vents uncovered and dusted regularly.	Air vents covered or dusty.
	Remove and clean the air filter with a vacuum cleaner at least once a year.	If dust has accumulated on the air filter.
<b>Temperature setting</b>	50° to 54°F / 10° to 12°C	The lower the temperature in the appliance, the higher the energy consumption.
<b>Use</b>	Wooden shelves arranged as they were when the appliance was delivered.	
	Only open the door when necessary and for as short a time as possible. Store wine bottles in an organized way.	Frequent opening of the door for long periods will cause a loss of coldness. The wine conditioning unit works harder to cool down and the compressor runs for longer periods.
	Do not overfill the appliance in order to allow the air to circulate.	Poor air circulation will cause a loss of coldness.

## Control panel








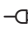



- ① Switching the entire wine conditioning unit on/off
- ② Optical interface (for Miele Service only)
- ③ On/Off sensor for the DynaCool function (constant humidity)
- ④ Activation/deactivation of the feature lighting
- ⑤ Setting the temperature (V colder)
- ⑥ Confirming a selection (OK sensor)
- ⑦ Setting the temperature (^ warmer)
- ⑧ Accessing or leaving the Setting mode
- ⑨ Deactivating the temperature and door alarm
- ⑩ Display with temperature display and symbols (symbols only visible in Setting mode; see chart for an explanation of the symbols)

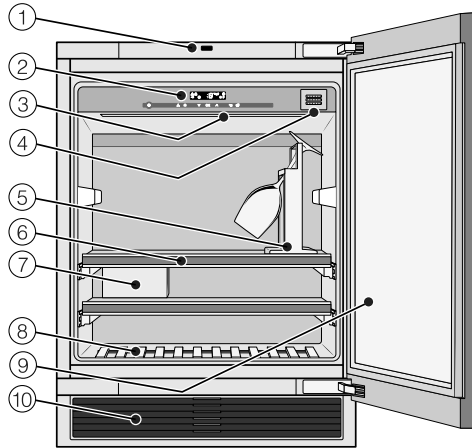
# Guide to the appliance

---

## Explanation of symbols

Symbol	Meaning	Function
	Safety Lock	Safety feature to prevent inadvertent switching off or changing of settings
	Acoustic signals	Choice of sensor tone and door alarm tone
	Miele@home (if available)	Only visible when the Miele@home communication module or communication stick is used (see "Miele@home")
	Demo mode (only visible when Demo mode is active)	For turning off Demo mode
	Display Brightness Settings	For adjusting the brightness of the display
	Active AirClean filter	Lights up when the filter needs changing
	Sabbath Mode	For turning Sabbath mode on and off
	Power supply	Confirms that the wine conditioning unit is connected to the power supply when it is not switched on; flashes in the event of a power outage
	Alarm	Lights up when there is a door alarm; flashes when there is a temperature alarm, power outage or other malfunctions





- ① Push2open door catch
- ② Control panel
- ③ Lighting strip
- ④ Active AirClean filter
- ⑤ Glass holder\*
- ⑥ Wooden shelves with labels (FlexiFrames with Noteboard)
- ⑦ Bottle holder\* (ConvinoBox)
- ⑧ Decorative shelf
- ⑨ Safety glass door with UV filter
- ⑩ Ventilation grille with air filter

**\* The SommelierSet consists of:**

A glass holder, a bottle holder, and two covers for the runners

# Guide to the appliance

---

## Door opening aid

The Push2open door catch on your wine conditioning unit makes it easy to open the door. The appliance door is sensitive to pressure.

The Push2open system is deactivated at the factory. The system has to be activated by touching the On/Off sensor only when the appliance has been installed in the niche.

Please note that using magnets directly in front of the wine conditioning unit door can cause it to open unintentionally. This is caused by the door closing mechanism on the wine conditioning unit.


## Opening the door

- Press briefly against the appliance door and then release it. The appliance door opens slightly.
- Then pull the door fully open.

To protect against inadvertent opening: if you do not open the door wider, it closes again by itself after approx. 3 seconds.

## Closing the door

- Push the door shut.

 Risk of damage!

To avoid damage to the door opening aid:

Do not obstruct the appliance door while it is opening.

Do not push in or hold onto the door catch while the door is closing.

## Accessories supplied

### Chalk

Use the chalk supplied to write on the magnetic strips on the wooden shelves for easy identification of the wines in storage.

### Active AirClean filter

The Active AirClean filter ensures optimum air exchange and therefore excellent air quality in the wine conditioning unit.

### Air filter

The air filter behind the ventilation grille protects the cooling system from dust.

## Optional accessories

A range of useful Miele accessories and care products are available for your wine conditioning unit.

### Active AirClean filter

See "Accessories supplied" for a description.

### Side-by-side merge kit

For high quality side-by-side combination of two wine conditioning units.

Optional accessories are available from Miele, your Miele dealer or online via the Miele website.
---

# Switching the appliance on and off

---

## Before first use

### Packaging material

- Remove all packaging material from the inside of the appliance.

### Protective foil

Stainless steel surfaces have a layer of protective foil to prevent scratching during transportation.

- Do not remove the foil until the wine conditioning unit has been installed in its final location. Start at one of the top corners.

### Cleaning

Please refer to the relevant instructions in "Cleaning and care".


- Clean the inside of the appliance and the accessories.

## Operating the wine conditioning unit

A light touch of the finger on the sensors is all that is required to operate this wine conditioning unit.


A tone will sound each time a sensor is touched. You can deactivate this if you wish (see "Selecting additional settings - Acoustic signals").


### Switching the wine conditioning unit on

When the wine conditioning unit is connected to the power supply, the power connection symbol  will appear in the display after a short while.



- Touch the On/Off sensor.

The power connection symbol  will go out and the wine conditioning unit will start to cool.


The first time the appliance is turned on, the alarm symbol  will flash until the selected temperature has been reached.


The interior lighting comes on when the door is opened.

# Switching the appliance on and off

## Switching the wine unit off



- Touch the On/Off sensor.  
If this is not possible, the safety lock  is activated.

The temperature shown in the display will go out and the power connection symbol  appears.


The interior lighting goes out and cooling is turned off.

## Turning off the wine unit in Sabbath mode

You can turn the wine unit off at any time.



- Touch the On/Off sensor.

The temperature shown in the display will go out and the power connection symbol  appears.

The interior lighting goes out and cooling is turned off.

As soon as the wine unit is turned on again the Sabbath mode is switched off.

## Turning off for longer periods of time

If the wine conditioning unit will not be used for a longer period of time,

- turn off the wine conditioning unit,
- unplug the power cord or trip the circuit breaker,
- clean the appliance and
- leave the door ajar to air the wine conditioning unit and avoid odors building up inside it.

If, during a long absence, the wine conditioning unit is turned off but not cleaned and the door left shut, there is a risk of mildew building up inside the appliance.

# Selecting additional settings

Certain settings on the wine conditioning unit can only be selected in settings mode.

The door alarm is automatically disabled when the appliance is in settings mode.

## Safety lock


The safety lock can be activated to prevent:

- the appliance being turned off by mistake,
- the temperature being changed by mistake,
- DynaCool being turned on by mistake,
- the feature lighting being turned on by mistake.

## Activating and deactivating the safety lock




- Touch the settings sensor.


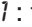
All symbols available for selection will appear in the display and the  symbol flashes.



- Touch the OK sensor to confirm your selection.


The last selected setting flashes and the  symbol lights up in the display.



- By touching the  $\wedge$  or  $\vee$  sensor, you can now select whether the safety lock is activated or deactivated:  
: the safety lock is deactivated  
: the safety lock is activated.




- Touch the OK sensor to confirm your selection.

The selected setting will be adopted and the  symbol will flash.



- Touch the settings sensor to leave the settings mode.  
Otherwise the appliance will exit the settings mode automatically after approximately one minute.

The  symbol will appear in the display when the safety lock is activated.

## Selecting additional settings

### Acoustic signals 🎵

The wine conditioning unit has audible tones such as the sensor tone and the door and temperature alarms.

You can turn the sensor tone or the acoustic door alarm on or off, but you cannot turn off the temperature alarm.

There are four settings to choose from. Option 3 is set at the factory, this means that the sensor tone and the door alarm are turned on.

### Turning acoustic tones on or off



- Touch the settings sensor.

All symbols available for selection will appear in the display and the 🔒 symbol flashes.



- Touch the sensors for setting the temperature (^ or v) repeatedly until the 🎵 symbol flashes in the display.



- Touch the OK sensor to confirm your selection.

The last selected setting flashes and the 🎵 symbol lights up in the display.



- By touching the ^ or v sensors you can now select the following:
  - ∅ : Sensor tone off; Door alarm off
  - 1 : Sensor tone off; Door alarm on (after 4 minutes)
  - 2 : Sensor tone off; Door alarm on (after 2 minutes)
  - 3 : Sensor tone on; Door alarm on (after 2 minutes).



- Touch the OK sensor to confirm your selection.

The selected setting will be adopted and the 🎵 symbol will flash.



- Touch the settings sensor to leave the settings mode. Otherwise the appliance will exit the settings mode automatically after approximately one minute.

## Selecting additional settings

---

### Display brightness ☀


You can adjust the brightness of the display to suit the ambient light conditions in the room.

The display brightness can be adjusted incrementally from 1 to 3. The factory default setting is 3 (maximum brightness).

### Changing the brightness of the display



- Touch the settings sensor.

All symbols available for selection will appear in the display and the  symbol flashes.



- Touch the sensors for setting the temperature ( $\wedge$  or  $\vee$ ) repeatedly until the ☀ symbol flashes in the display.



- Touch the OK sensor to confirm your selection.

The last selected setting flashes and the ☀ symbol lights up in the display.



- By touching the  $\wedge$  or  $\vee$  sensor, you can now alter the brightness of the display:  
1 : Dimmest setting  
2 : Medium setting  
3 : Brightest setting.



- Touch the OK sensor to confirm your selection.

The selected setting will be adopted and the ☀ symbol will flash.



- Touch the settings sensor to leave the settings mode.  
Otherwise the appliance will exit the settings mode automatically after approximately one minute.



# Selecting additional settings

## Sabbath mode

The Sabbath mode supports the observance of religious customs.

The following are turned off:

- the interior lighting when the door is opened,
- all acoustic and optical signals
- the temperature display,
- the DynaCool function (if previously activated),

The following can be selected:

- the Settings sensor for turning off Sabbath mode
- and the On/Off sensor

The Sabbath mode function will turn itself off automatically after approx. 120 hours.


Ensure that the wine unit door is properly closed as visual and audible alarms are turned off.

Any interruption to the power supply during this time will not be shown in the display. After a power cut, the appliance restarts in Sabbath mode.


## Turning on Sabbath mode



- Touch the Settings sensor.


All symbols available for selection will appear in the display and the  symbol flashes.



- Touch the sensors for setting the temperature ( $\wedge$  or  $\vee$ ) repeatedly until the  symbol flashes in the display.



- Touch the OK sensor to confirm your selection.


The last selected setting flashes and the  symbol lights up in the display.



- By touching the  $\wedge$  or  $\vee$  sensor you can now switch on Sabbath mode. To do this, select the  $7$  setting.




- Touch the OK sensor to confirm your selection.

The selected setting is applied, the  symbol lights up.

# Selecting additional settings

---

As soon as the  symbol goes out in the display after 3 seconds, Sabbath mode is switched on.

- Turn off Sabbath mode after the Sabbath has passed.

## Turning off Sabbath mode



- Touch the Settings sensor to leave Sabbath mode.

The temperature will appear in the display and the interior lighting will come on.

# Optimum temperature and air quality

Wine continues to mature depending on the surrounding conditions. The length of time for which wine can be kept in good condition will therefore depend not only on the temperature but also on the air quality.

The wine conditioning unit with its constant ideal temperature, increased air humidity and odor-free atmosphere offers the perfect conditions for storing your wine.

The wine conditioning unit also guarantees a vibration-free environment (in contrast to a refrigerator) so that the maturing process is not disturbed.

## Temperature

Wine can be stored at a temperature between 42° and 64°F (6° and 18°C). If you are storing white and red wines together, select a temperature between 53° and 57°F (12° and 14°C). This is suitable for both white and red wines. Red wine should be taken out of the wine conditioning unit and opened at least two hours before drinking to allow it to breathe and develop its aroma.

At too high a temperature (over 72°F / 22°C), wine matures too quickly, which prevents the aromas from developing further. Wine cannot mature fully at too low a temperature (below 41°F / 5°C).

Fluctuations in temperature put wine under stress and interrupt the maturing process. It is therefore very important to maintain a constant temperature.

Type of wine	Recommended drinking temperature
Light, fruity red wines:	57° to 61°F (14° to 16°C)
Full-bodied red wines:	64°F (18°C)
Rosé wines:	46° to 50°F (8° to 10°C)
Delicate, aromatic white wines:	46° to 54°F (8° to 12°C)
Full-bodied or sweet white wines:	46° to +57°F (12° to 14°C)
Champagne, sparkling white wines:	43° to 50°F (6° to 10°C)

**Tip:** Store the wine 1° or 2°C cooler than the recommended drinking temperature as it warms up a little when poured into the glass.

**Tip:** Full-bodied reds should be opened for 2-3 hours before drinking to allow it to breathe and develop its aroma.

# Optimum temperature and air quality

## Safety device in case of low ambient temperatures

The appliance is equipped with a safety thermostat to protect your wine against a sharp drop in temperature. If the external temperature should drop below this level, a heater element turns on automatically to keep the temperature inside as constant as possible. If the ambient temperature continues to fall, the appliance switches itself off automatically.

## Sets the temperature

- Use the two buttons underneath the display to set the temperature.

By touching the button:



- the temperature will get colder



- the temperature will get warmer.



- Tap the OK button to confirm your selection  
or
- wait approx. 5 seconds after the last press of the button.

The temperature being set will flash in the display.

When you touch the sensors, you will see the following changes in the display:

- With the first touch: The **last temperature selected** flashes.
- Each subsequent touch of the sensor: The temperature changes in 1°C increments.
- Keeping your finger on the button: The temperature changes continuously.

A tone will sound (if the keypad tone is switched on) when the lowest or highest possible temperature is reached.

Approx. 5 seconds after you release the button, the **actual** temperature value in the appliance will be displayed.

When the temperature is altered, there is a short delay until the temperature selected is set.

The temperature display in the control panel always shows the **actual** temperature.

# Optimum temperature and air quality

---

## Temperature range

The temperature can be set between 41° and 68°F (5° and 20°C).

## Temperature display

In normal operation the temperature display shows the actual temperature in the appliance.

If the temperature in one of the zones is not within the range that the appliance is able to display, dashes will light up in the temperature display.

Depending on the ambient temperature and the temperature setting, it can take the appliance a few hours to reach the temperature required and for this temperature to then be shown as a constant temperature in the display.

## Air quality and humidity

A conventional refrigerator with its low humidity level is not the best place to store wine. It is very important to store wine in an atmosphere with a high humidity level so that the corks remain moist on the outside. Low humidity causes corks to dry out from the outside, and so do not seal the bottles as tightly. Wine should be stored lying down to keep the corks moist from the inside too. Air entering the bottle will inevitably spoil the wine.

**Do not** introduce additional moisture into the air, e.g. by placing a dish of water in the appliance. This will lead to condensation on the interior walls, which can cause corrosion damage.

# Optimum temperature and air quality

---

## DynaCool (constant humidity)

DynaCool raises the relative humidity inside the appliance. It also distributes the humidity and the temperature evenly around the interior so that you can store all your wine under the same excellent conditions.

This will create a stable climate in the unit which imitates that of a wine cellar.

### Turning on DynaCool

If you would like to use the wine conditioning unit for long term wine storage, we recommend that you keep the DynaCool function turned on.



- Touch the sensor to turn the DynaCool function on/off. The sensor will be highlighted in yellow.

Even if DynaCool has not been turned on, the fans in the appliance will come on automatically when the cooling system turns on. This ensures the optimum climate for your wine is maintained.

The fans automatically turn off when the door is open.

## Turning off DynaCool

The appliance uses slightly more energy and is a little noisier when the DynaCool function is turned on. You can turn it off occasionally if desired.



- Touch the On/Off sensor of the DynaCool function so that it is no longer highlighted in yellow.

## **Air filtration with the Active AirClean filter**


The Active AirClean filter achieves optimum air quality by filtering the incoming air.

Fresh air from the room enters the appliance via the Active AirClean filter.

The fans (DynaCool function) then distribute the air evenly throughout the wine conditioning unit.

Filtering the incoming air through the Active AirClean filter ensures that all air entering the appliance is fresh and free from dust and odors.

This also ensures your wine does not absorb any unwanted odors through the corks.


Replace the Active AirClean filter regularly. The  symbol will appear in the display to remind you (see "Active AirClean filter").

# Temperature and door alarm

---

The appliance is equipped with an alarm system so that the temperature cannot rise or fall unnoticed, which could possibly damage the wine.


## Temperature alarm

If the temperature becomes too warm or too cold, the alarm symbol  will flash in the display.

An alarm will also sound.

The audio and visual signals are triggered, for example:

- when the wine conditioning unit is switched on if the temperature differs greatly from the set temperature,
- when too much warm ambient air enters the cabinet when bottles are being rearranged or taken out;
- when a large number of bottles are stored for the first time,
- in the event of a power cut.

The alarm will stop and the alarm symbol  goes out as soon as the temperature has dropped to the correct level again.


## Switching the temperature alarm off early

If the acoustic alarm disturbs you, it can be switched off.




- Touch the button to turn off the temperature alarm.


The alarm will stop.

The alarm symbol  will continue to flash until the set temperature has been reached.



## Door alarm

An alarm will sound if the door has been left open for longer than 2 minutes. The alarm symbol  will light up in the display.

The alarm will stop and the alarm symbol  will go out as soon as the door is closed.


### Turning the door alarm off early

If the acoustic alarm disturbs you, it can be switched off.



- Touch the button to turn off the door alarm.

The alarm will stop.

The alarm symbol  will continue to be displayed until the door is closed.

If the audible tone does not sound in the event of a door alarm, then the audible tone has been turned off in Setting mode (see "Selecting additional settings - Audible tones").

## Feature lighting

The interior lighting can be set to remain on when the door is closed so your wines can be on display at all times.

Thanks to the use of LED lighting, the wine will not be adversely affected by heat or UV light.

### Turning the feature lighting on and off.



- Touch the On/Off sensor for the feature lighting so that it is highlighted in yellow.

The interior lighting is now turned on, even when the door is closed.

To turn the feature lighting off again

- touch the On/Off sensor for the feature lighting so that it is highlighted in yellow.

The interior lighting is now turned off when the door is closed.

### Setting the brightness of the feature lighting

The brightness of the feature lighting can be adjusted.



- Touch the On/Off sensor for the feature lighting so that it is highlighted in yellow.
- Touch the sensor for the feature lighting again (approx. four seconds), until the *l* symbol flashes in the display (after two seconds the *h* symbol flashes).
- Use the sensors for altering the temperature to set the feature lighting brightness ( $\nabla$  and  $\wedge$ ). To do this touch and hold the sensors. The brightness is adjusted directly and is infinitely variable.

By touching the sensor



- the lighting becomes dimmer



- the lighting becomes brighter



- Touch the OK sensor to confirm your choice.

The selected brightness is saved and the temperature reappears in the display.

As soon as the appliance door is closed, the set brightness for the feature lighting takes effect. When the appliance door is opened, the interior lighting returns to its normal level.

### Lighting duration of the feature lighting

The lighting duration for the feature lighting is set to 30 minutes at the factory.

The lighting duration can be set to 30, 60, 90 minutes, up to 00 (unlimited). The feature lighting will have the brightness setting you have selected previously.

- Open the appliance door.



- Touch the On/Off sensor for the feature lighting so that it is highlighted in yellow.
- Touch the sensor for the feature lighting again (approx. two seconds), until the *h* flashes in the display.
- Use the sensors for altering the temperature (  $\nabla$  and  $\wedge$  ) to set the feature lighting duration. The times (in minutes) will flash in the display.

By touching the sensors



- the lighting duration is reduced by 30 minutes



- the lighting duration is increased by 30 minutes.



- Touch the OK sensor to confirm your choice.

The selected lighting duration is saved. The temperature reappears in the display.

The set lighting duration starts again whenever the appliance door is opened and closed.

### Caution! Laser beam class 1M

Do not remove the lighting covers! If the covers are damaged or need to be removed due to damage, do not use optical instruments (magnifying glass or similar) to look at the lighting.

# Storing wine bottles

---

Vibration and movement have a negative effect on the maturing process which can affect the taste of the wine.

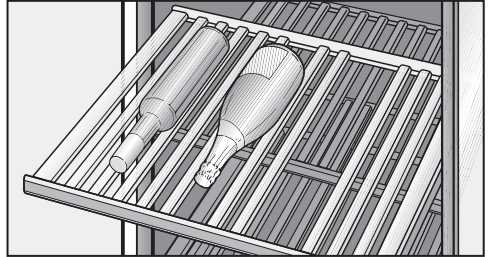
To avoid disturbing other bottles when removing a bottle of wine, store bottles of the same type beside each other on the same shelf. Avoid stacking bottles on top of one another on the wooden shelves.

Always place the bottles in a horizontal position so that the corks can be kept moist on the inside and air is prevented from getting into the bottles.

 Risk of injury!

Take care that wine bottles do not fall out of the appliance when a wooden shelf is pulled out. Wine bottles could also become wedged in the shelf above.

## Wooden shelves

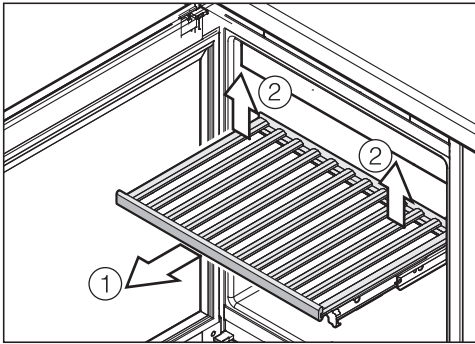


The wooden shelves are mounted on telescopic runners which can be pulled out to make it easier to store and remove bottles.

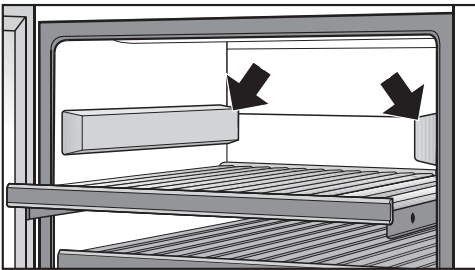
# Storing wine bottles

## Moving the wooden shelves

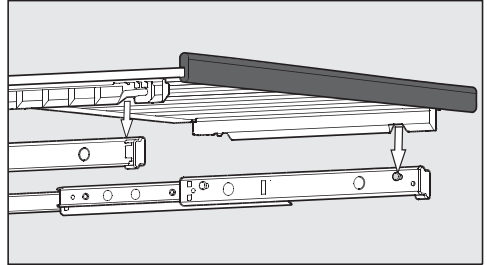
The wooden shelves can be removed and replaced again if required.



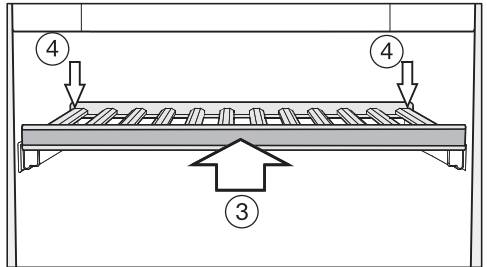
- Pull the wooden shelf out until it stops ①.
- Release the wooden shelf at the back, lifting the shelf on the left and right at the same time ②.
- Lift the wooden shelf forwards to remove it.



- If you require more room, cover the runners at the top on both sides which are now not needed with the covers supplied. The thicker side of the cover should point forwards. The covers are held in position with magnets.



- To replace the wooden shelf, position it on the extended runners. The notches in the wooden shelf fit over the retaining pins. The magnetic strip should be pointing forwards.

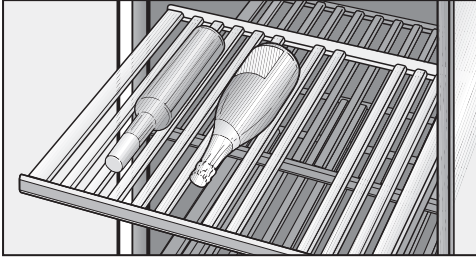


- Slide the wooden shelf back into the appliance as far as it will go ③ .
- Push the wooden shelf right back so that it clicks into place at the front.
- Press down on the back of the wooden shelf so that it clicks into place at the back ④ .

# Storing wine bottles

## Adjusting the wooden shelves

The slats in the wooden shelves can be individually adjusted to suit, so that every bottle is stored in perfect safety regardless of shape or size.



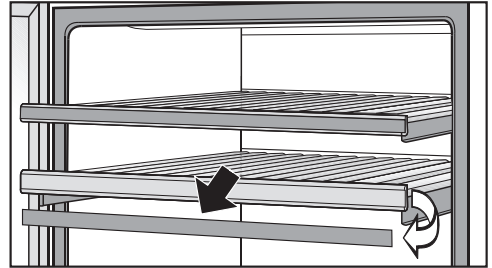
- Simply lift individual slats to move or remove them from the wooden shelves. This makes it easy to adjust the wooden shelf for any size of your wine bottle.

The slats in the decor shelf (at the bottom of the appliance) cannot be adjusted.

## Labeling wooden shelves

For quick and easy identification of the wines stored, you can write on the blackboard-painted surface on the magnetic strips on the wooden shelves.

Use the chalk supplied. You can write directly on the magnetic strip or remove it from the wooden shelf. To do so:



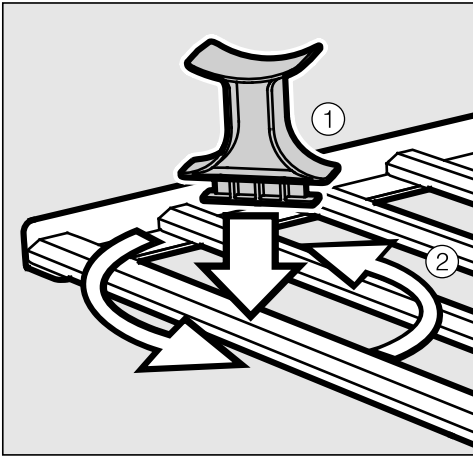
- Hold the magnetic strip by the sides and pull it forwards. The magnetic strip is held on the wooden shelf by magnets.
- Mark the magnetic strip with the chalk supplied and replace the strip on the front of the wooden shelf.
- The magnetic strip can be wiped clean with a damp cloth.

Only use water to wipe the magnetic strips. Do **not** use a cleaning agent as this would damage the blackboard paint.

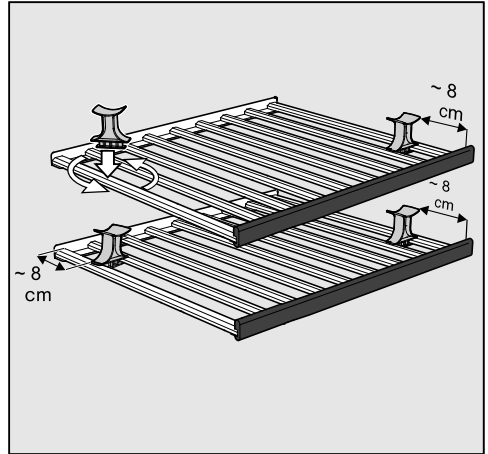
# Storing wine bottles

## Securing bottle holders

Up to four additional bottles can be supported by bottle holders in the top two wooden shelves.



- Fit the bottle holders at an angle between the two outer slats ①.
- Then twist the bottle holder so that it sits across the slats ②.



- Slide the bottle holders in the positions shown in the drawing.
- Then lay the bottles on them.

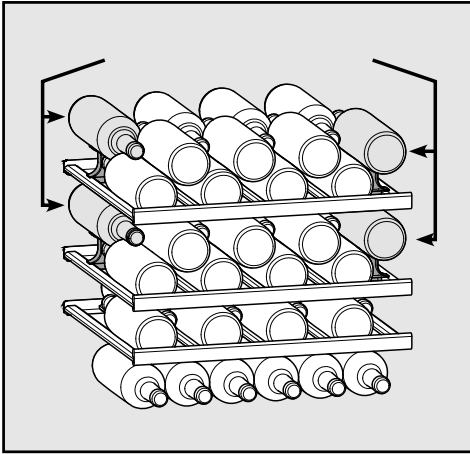
## Inserting the decor shelf

- Place the decor shelf at the very bottom of the appliance (see "Guide to the appliance").

# Storing wine bottles

## Maximum capacity

### Without SommelierSet

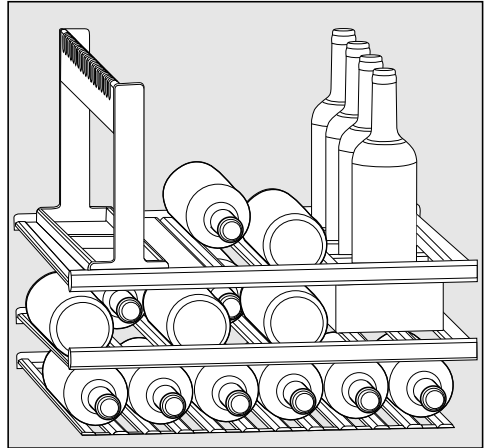


Up to 46 Bordeaux bottles (0.75 L (25.4 fl oz.)) can be stored in the appliance.

The maximum number of bottles can only be achieved by using all of the wooden shelves.

Please note that each wooden shelf has a maximum load-bearing capacity of 25 kg (55 lb). Do not stack bottles more than 2 layers high on the wooden shelves.

### With SommelierSet



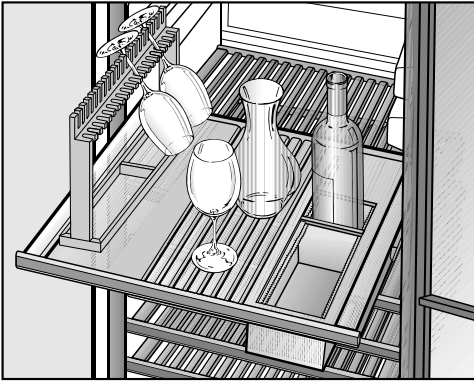
Up to 17 Bordeaux bottles (0.75 L (25.4 fl oz.)) can be stored in the wine conditioning unit.

The load-bearing capacity of each wooden shelf is max. 55 lb (25 kg).



## Setting up the SommelierSet

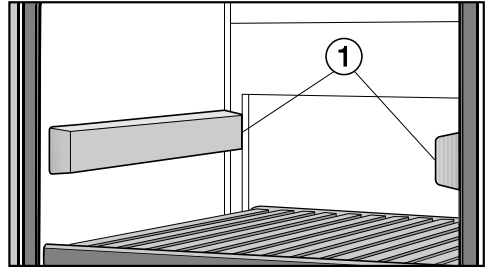
The SommelierSet can be used to have your wine ready for drinking. You can store wine glasses and accessories in the appliance, decant your wine, and store open bottles in the appliance.



To insert the SommelierSet, remove the wooden shelf above it first.

- Pull the wooden shelf out as far as it will go.
- Release the wooden shelf at the back, lifting the shelf on the left and right at the same time.
- Lift the wooden shelf forwards to remove it.

## Fitting the runner covers

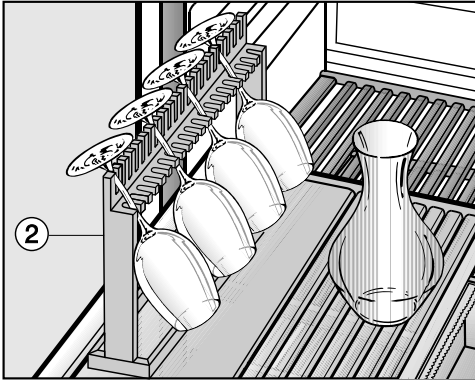


- Place the two covers supplied ① over the runners which are now visible with the thicker side of the cover pointing forwards.

# SommelierSet

## Inserting the glass holder

This can be used for storing and chilling wine glasses.



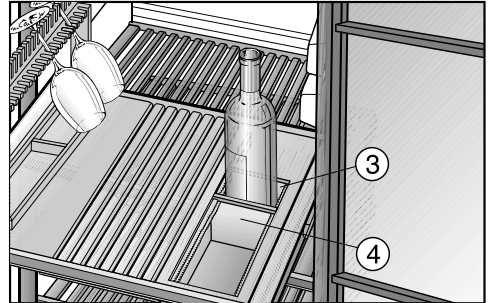
- To insert the glass holder ② remove the necessary number of slats and place the glass holder ② on the wooden shelf.

**Tip:** There are two compartments underneath the glass rail for accessories such as corkscrews, knives and chalk.

**Tip:** The wine decanter can be placed in the middle of the shelf, and stored there if you wish.

## Inserting the bottle holder

You can store opened wine bottles in the bottle holder ③.



- Remove the necessary number of slats on the wooden shelf and place bottle holder ③ on it.
- Position the dividers ④ in the bottle holder to suit the size of bottles being held. They should be held securely and not rattle against each other.

**Tip:** For wine which has been opened, we recommend removing the oxygen from the bottle. Otherwise, the wine will lose its aroma and taste, and spoil more quickly. Special devices (a wine pump with bottle stopper, for example) create a vacuum by extracting the air.

The wine conditioning unit defrosts automatically.

## Cleaning and care

---

Do not let water get into the electronic unit, the ventilation grille or the lighting.

Do not use a steam cleaning appliance to clean this wine conditioning unit. The steam could reach electrical components and cause a short circuit.

Do not remove the data plate located inside the appliance. It contains information which is required in the event of a service call.

### Cleaning agents

To avoid damaging the surfaces of your appliance, **do not** use

- Cleaning products containing soda, ammonia, acid, or chloride
- lime scale removers
- abrasive cleaning products, such as scouring powder, scouring liquid, or pumice stones,
- cleaners containing solvents
- stainless steel cleaners
- dishwasher detergent,
- Oven sprays
- glass cleaner (except on the glass in the appliance door)
- hard, abrasive sponges and brushes, such as pot scrubbers
- eraser sponges
- sharp metal scrapers.

Cleaning and conditioning agents used inside the wine conditioning unit must be food safe.

Use warm water and liquid dish soap.

The following pages contain important information on cleaning.

## Before cleaning the wine conditioning unit

- Switch off the appliance.
- Unplug the appliance or trip the circuit breaker.
- Take any wine bottles out of the wine conditioning unit and store them in a cool place.
- Take out all other removable parts for cleaning.
- Remove the magnetic strips from the wooden shelves before cleaning them (see "Labeling wooden shelves").

## Interior, accessories and appliance door

Clean the wine conditioning unit regularly, or at least once a month. Clean up any spills, stains or food immediately. Do not allow them to dry and stick to the appliance.

- Clean the interior with a solution of lukewarm water and liquid dish soap.
- The wooden shelves should only be wiped with a damp cloth. They must **not** be allowed to get wet.
- Use clean water only to wipe the magnetic strips at the front of the wooden shelves. Do **not** use a cleaning agent as this would damage the blackboard paint.
- After cleaning, wipe the interior and accessories with a damp cloth, and dry with a soft cloth. Leave the door open to air the appliance for a short while.

- Clean the appliance door with a glass cleaner.

## Cleaning the ventilation grilles

A build-up of dust will increase the energy consumption of the appliance.

- The air vents should be cleaned on a regular basis with a brush or vacuum cleaner (you could use a Miele vacuum cleaner dusting brush, for example).

## Cleaning the door seal

Do not use any grease or oil on the door seal as these will cause the seal to deteriorate and become porous over time.

- The door seal should be cleaned regularly with clean water and then wiped thoroughly dry with a soft cloth.

## Cleaning and care

---

### Cleaning the air filter

- Clean the air filter behind the ventilation grille at least once a year.
- Remove the air filter and vacuum it thoroughly on both sides. A dirty filter can prevent the wine conditioning unit from cooling sufficiently.


### After cleaning

- Replace all parts in the wine conditioning unit.
- Reconnect to the power and switch the wine conditioning unit back on.
- Place the wine bottles back in the wine conditioning unit and close the door.

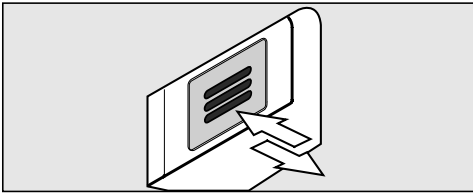
## Active AirClean filter

Fresh air from the room enters the wine conditioning unit through the Active AirClean filter. Filtering the incoming air through the Active AirClean filter ensures that all air entering the appliance is fresh and free from dust and odors.

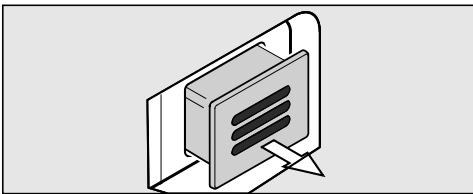
The reminder to change the Active AirClean filter will be displayed at the latest every 12 months.

When the Change Active AirClean filter symbol  lights up in the display, the Active AirClean filter must be changed.

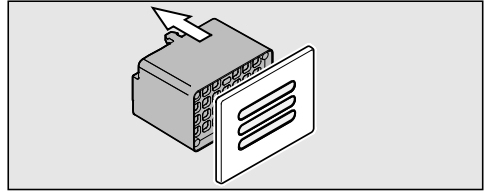
### Replacing the Active AirClean filter



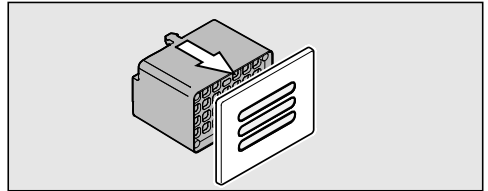
- Push the filter in and then release it.



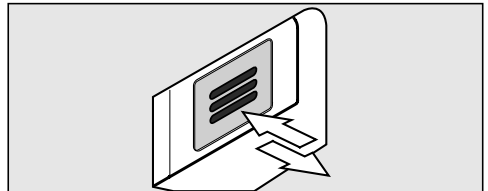
- Pull the filter out.



- Remove the back part of the filter from the cover.



- Push the new filter onto the cover.



- Insert the new filter.
- Push the filter in and then release it. The filter will lock into place automatically with an audible click.

Active charcoal filters can be obtained from Miele Technical Service, your local dealer or via the Miele website.


# Active AirClean filter

---




To confirm the filters have been changed,



- Touch the settings sensor.



All symbols available for selection will appear in the display and the  symbol flashes.






- Touch the sensors for setting the temperature ( or ) repeatedly until the  symbol flashes in the display.



- Touch the OK sensor to confirm your selection.


The  symbol flashes in the display (meaning: Active AirClean filter is installed in your wine conditioning unit), the  symbol lights up.



- Touch the sensors for setting the temperature ( or ) until the  symbol is displayed (meaning: the counter has been reset).



- Touch the OK sensor to confirm your selection.

The selected setting will be adopted and the  symbol will flash.



- Touch the settings sensor to leave the settings mode. Otherwise the appliance will exit the settings mode automatically after approximately one minute.

The  in the display goes out.



## Frequently asked questions





With the aid of this guide, minor problems can be corrected without a service call. If, having followed the suggestions below, you still cannot resolve the problem, please contact Miele Service.

To prevent cold air from escaping, open the appliance doors as little as possible until the malfunction has been corrected.



Unauthorized installation, maintenance and repairs can cause considerable danger for the user.






Installation, maintenance and repairs must only be carried out by a Miele authorized technician.

Problem	Possible cause and solution
<p><b>The wine conditioning unit is not getting cold, the interior lighting does not come on when the door is opened, and the display is not lit up.</b></p>	<p>The wine conditioning unit is not switched on and the power connection symbol  is lit up in the display.</p> <ul style="list-style-type: none"> <li>■ Switch on the wine conditioning unit.</li> </ul> <p>The plug is not properly plugged into the electrical outlet.</p> <ul style="list-style-type: none"> <li>■ Insert the plug correctly into the outlet. The power connection symbol  appears in the display when the wine conditioning unit is switched off.</li> </ul> <p>Check whether the fuse has tripped. If it has there could be a fault with the appliance, the household electrical wiring or another electrical appliance.</p> <ul style="list-style-type: none"> <li>■ Contact a qualified electrician or Miele Technical Service for assistance.</li> </ul>
<p><b>The  symbol is displayed, the wine conditioning unit is not getting cold. However, the appliance and the interior lighting are working fine.</b></p>	<p>Demo mode is turned on and the  symbol is illuminated in the display.</p> <ul style="list-style-type: none"> <li>■ Turn off Demo mode (see "Information for dealers - Demo mode").</li> </ul>

## Frequently asked questions

Problem	Possible cause and solution
<p><b>The compressor is switching on more frequently and for longer periods of time, the temperature in the wine conditioning unit is falling.</b></p>	<p>The temperature in the wine conditioning unit is set too low.</p> <ul style="list-style-type: none"> <li>■ Correct the temperature setting.</li> </ul>
	<p>The door is not properly closed.</p> <ul style="list-style-type: none"> <li>■ Check whether the appliance door is properly closed.</li> </ul>
	<p>The door was opened too frequently.</p> <ul style="list-style-type: none"> <li>■ Only open the door when necessary and for as short a time as possible.</li> </ul>
	<p>The ventilation grilles are covered over or are dusty.</p> <ul style="list-style-type: none"> <li>■ Do not cover the air vents and dust them regularly.</li> </ul>
	<p>The air filter is dusty.</p> <ul style="list-style-type: none"> <li>■ Clean the air filter (see "Cleaning and care").</li> </ul>
	<p>The ambient temperature is too warm.</p> <ul style="list-style-type: none"> <li>■ Decrease the ambient temperature.</li> </ul>
<p><b>The compressor comes on less and less often and for shorter periods of time. The temperature in the wine conditioning unit rises.</b></p>	<p>This is not a fault. The temperature is too high.</p> <ul style="list-style-type: none"> <li>■ Correct the temperature setting.</li> <li>■ Check the temperature again after 24 hours.</li> </ul>
	<p>The air filter in the appliance plinth is dirty.</p> <ul style="list-style-type: none"> <li>■ Clean the air filter in the appliance plinth (see "Cleaning and care").</li> </ul>

## Messages in the display

Message	Possible cause and solution
The alarm symbol  is lit up in the display and an alarm is also sounding.	The door alarm has been activated. <ul style="list-style-type: none"> <li>■ Close the appliance door. The alarm symbol  will go out and the alarm will stop.</li> </ul>
The alarm symbol  is flashing in the display and an alarm is also sounding.	The temperature in the wine conditioning unit has risen higher or fallen lower than the temperature which has been set. For instance, this could be due to <ul style="list-style-type: none"> <li>– the door being opened too frequently,</li> <li>– blocked ventilation grilles,</li> <li>– a lengthy interruption to the power supply.</li> </ul> <ul style="list-style-type: none"> <li>■ Correct the condition that caused the alarm. The alarm symbol  will go out as soon as the cause of the alarm has been rectified.</li> </ul>
The Change Active Air-Clean filter symbol  is lit up.	This is the reminder to change the Active AirClean filter. <ul style="list-style-type: none"> <li>■ Replace the Active AirClean filter and then confirm the filter change in settings mode (see "Active Air-Clean Filter").</li> </ul>
A dash is lit up up/flash- ing in the display.	Only temperatures within the range of the appliance temperature will be displayed.
The sym- bols <i>F1</i> to <i>F3</i> or <i>S1</i> to <i>S3</i> a ppear in the display.	There is a fault. <ul style="list-style-type: none"> <li>■ Contact Miele Technical Service.</li> </ul>


## Frequently asked questions

---

### The interior lighting is not working.

Problem	Possible cause and solution
<b>The LED interior lighting is not working.</b>	<p>The wine conditioning unit is not switched on.</p> <ul style="list-style-type: none"><li>■ Touch the On/Off sensor.</li></ul> <p>To avoid overheating, the LED lighting switches itself off automatically after approx. 15 minutes if the door is left open.</p> <p>If this is not the case, then there is a fault.</p> <div data-bbox="404 459 1038 651" style="border: 1px solid gray; padding: 5px;"><p><b>Caution! Laser beam class 1M</b></p><p>Do not remove the lighting covers.</p><p>If the covers are damaged or need to be removed due to damage, do not use optical instruments (magnifying glass or similar) to look at the lighting.</p></div> <ul style="list-style-type: none"><li>■ Contact Miele Technical Service!</li></ul>
<b>The LED interior lighting is on even when the door is closed.</b>	<p>The feature lighting is turned on.</p> <ul style="list-style-type: none"><li>■ Turn the feature lighting off (see "Feature lighting".)</li></ul>

### General problems with the wine conditioning unit

Problem	Possible cause and solution
<b>There is no acoustic alarm although the door has been open for a long time.</b>	This is not a fault. The alarm tone has been turned off in settings mode (see "Selecting additional settings - Acoustic signals").
<b>The wine conditioning unit cannot be switched off.</b>	The safety lock is activated. The  symbol is lit in the display. ■ Turn off the safety lock (see "Selecting settings - Switching the safety lock on/off").
<b>The slats on the wooden shelves are warping.</b>	Volume change due to moisture absorption or drying out is a typical characteristic of wood. An increase in humidity will cause wooden components to warp, which can lead to cracking. Knots and wavy grain are characteristic for wood and cannot be avoided.
<b>Mildew has begun to form on the wine bottle labels.</b>	Mildew may form on the labels, depending on the type of label adhesive used. ■ Clean the wine bottles and remove any adhesive residue.
<b>A white deposit has formed on the wine bottle corks.</b>	The corks have oxidized due to contact with the air. ■ Use a dry cloth to wipe off the deposit. The deposit will not affect the quality of the wine.

## Causes of noises

Normal noises	Cause
<b>Brrrrr...</b>	A humming noise is made by the motor (compressor). This noise can get louder for brief periods when the motor switches on.
<b>Blub, blub....</b>	A gurgling noise can be heard when the coolant circulates through the pipes.
<b>Click....</b>	Clicking sounds occur whenever the thermostat switches the motor on or off.
<b>Sssrrrrr....</b>	On multi-zone wine conditioning units you can sometimes just hear the sound of the fan inside the appliance.
<b>Crack...</b>	A cracking sound can be heard when material inside the wine conditioning unit expands.
Please bear in mind that a certain amount of noise is unavoidable (from the compressor and the coolant circulating through the system).	

Noises that you can easily eliminate	Possible cause	Solution
<b>Rattling, clinking</b>	The wine conditioning unit is uneven.	Realign the wine conditioning unit using a spirit level, by raising or lowering the screw feet underneath the appliance.
	Shelves are unstable or sticking.	Check all removable items and refit them correctly.
	Bottles or containers are touching.	Separate them.
	The transport cord clip is still hanging on the back of the appliance.	Remove the clip.

## Technical service

In the event of a fault which you cannot easily correct yourself, please contact:

- your Miele dealer or
- Miele Technical Service.

Contact details can be found in the back of these operating and installation instructions.

Please quote the model and serial number of your appliance when contacting Miele.

This information is given on the data plate inside the wine conditioning unit.

## Warranty

For additional information, please refer to your warranty booklet.

See the end of these operating and installation instructions for this telephone number.

## MieleCare

**MieleCare**, our Extended Service Contract program; gives you the assurance of knowing that your appliance investment is covered by 5 years of worry-free ownership.

**MieleCare** is the only Extended Service Contract in the industry that guarantees repairs by a Miele Authorized Service Provider using genuine Miele parts. Only genuine Miele parts installed by factory-trained professionals can guarantee the safety, reliability and longevity of your Miele appliance.

Please note that unless expressly approved in writing by the Miele Service department, Extended Service Contracts offered by other providers for Miele products will not be recognized by Miele. Our goal is to prevent unauthorized (and untrained) service personnel from working on your Miele products, possibly doing further damage to them, you and/or your home.

To learn more about MieleCare Extended Service Contracts, please contact your appliance dealer or visit us online at:

**<http://www.mieleusa.com>**

## Information for dealers

---


### Demo mode

The appliance can be demonstrated in the showroom or at exhibitions in "Demo mode". In this mode the control panel and interior lighting are active but the compressor remains turned off, so that the appliance does not cool down.

#### Turning on Demo mode



- Switch the wine conditioning unit off by touching the On/Off sensor.

The temperature shown in the display will go out and the power connection symbol  appears.





- Touch and hold the  $\nabla$  sensor.




- At the same time, briefly touch the On/Off sensor (without letting go of the  $\nabla$  sensor!).



- Keep your finger on the  $\nabla$  sensor until the  symbol appears in the display.
- Then release the  $\nabla$  sensor.


Demo mode is turned on and the  symbol is illuminated in the display.

#### Turning off Demo mode


The  symbol is illuminated in the display.



- Touch the settings sensor.



All symbols available for selection will appear in the display and the  symbol flashes.



- Touch the sensors for setting the temperature ( $\nabla$  or  $\wedge$ ) repeatedly until the  symbol flashes in the display.



- Touch the OK sensor to confirm your selection.

The  symbol flashes in the display (meaning: Demo mode is active) and the  symbol is illuminated.





- Touch the  $\nabla$  or  $\triangle$  sensor so that the symbol  $\square$  appears in the display (meaning: Demo mode is inactive).



- Touch the OK sensor to confirm your selection.

The selected setting will be adopted and the  $\blacksquare$  symbol will flash.



- Touch the settings sensor to leave the settings mode. Otherwise the appliance will exit the settings mode automatically after approximately one minute.

Demo mode is turned off and the  $\blacksquare$  symbol disappears.

## Electrical connection

---

Connect this appliance to a 110 – 120 VAC, 60 Hz and 15 amp (20 amp for side-by-side) circuit with a circuit breaker or fuse.

This appliance is equipped with a three-prong grounding plug to prevent shock hazards. It should be plugged directly into a properly grounded outlet. Do not cut or remove the grounding prong from the plug. If the plug does not fit the outlet, have the proper outlet installed by a licensed electrician. Do not use extension cords or ungrounded (two prong) adapters.

The outlet must be easily accessible so that the appliance can be quickly disconnected from the electrical supply in case of an emergency.

Failure to follow these instructions can result in death, fire, or electrical shock. Improper connection of the equipment grounding conductor may result in electric shock. If you are in any doubt as to whether the appliance has been properly grounded, have the appliance checked by a qualified electrician or service technician.

Installation, repairs and other work by unqualified persons could be dangerous. The manufacturer will not be held responsible for damage or injury arising from unauthorized work.

Before installing the appliance, verify that the voltage, load and circuit rating information found on the data plate match the household electrical supply. To guarantee the electrical safety of this appliance, continuity must exist between the appliance and an effective grounding system. It is imperative that this basic safety requirement be met. If

there is any doubt, have the electrical system of the house checked by a qualified electrician.

The plug and power cord must not come into contact with the back of the appliance as vibrations can cause damage to these components. This, in turn, could result in a short circuit.


Do not plug in other appliances behind this wine conditioning unit.


Do not use an extension cord to connect the appliance to the power supply. Extension cords do not guarantee the required safety of the appliance (danger of overheating, for example).

Do not connect the appliance to an inverter such as those used with an autonomous energy source e.g. **solar power**. When switched on, peak loads in the system can cause the safety switch-off mechanism to be triggered. This can damage the electronic unit. The appliance must not be used with so-called **energy-saving devices** either. These reduce the amount of energy supplied to the appliance, causing it to overheat.

If the power cord needs to be replaced, this must be done by a qualified technician.

A wine conditioning unit that has not been installed properly can tip up.

 Risk of fire and damage! This wine conditioning unit must not be installed underneath a cooktop.

 Danger from broken glass!  
Danger of injury due to broken glass! If installed at altitudes above 4,900 ft (1,500 m) there is a risk of the glass in the door breaking because of changes in air pressure. Shards of glass can cause severe injury if not handled with care.

### Installation location

This appliance should be installed in a dry, well-ventilated room.

This appliance should not be installed where it is exposed to direct sunlight or directly adjacent to a heat-producing appliance such as an oven or a radiator. The higher the ambient temperature of the room, the longer the compressor runs, and the more energy the appliance requires to operate. The appliance should be installed in a dry, well ventilated room.

When installing the wine conditioning unit, please note:

- The electrical socket must be easily accessible in an emergency, not concealed behind the appliance.
- The plug and cord must not touch the back of the wine conditioning unit as they could be damaged by vibrations from the appliance.
- Do not plug in other appliances behind this wine conditioning unit.

### Side-by-side

This wine conditioning unit can be installed side-by-side with another refrigeration appliance.

**Tip:** Please contact Miele for specific information about which combinations will work with your appliance.

# Installation information

## Climate class

The wine conditioning unit is designed for use within a certain climate range (ambient temperatures) and should not be used outside this range. The climate range of the wine conditioning unit is stated on the data plate inside it.

Climate class	Room temperature
SN	50° to 90°F (10° to 32°C)
N	61° to 90°F (16° to 32°C)
ST	61° to 100°F (16° to 38°C)
T	61° to 109°F (16° to 43 °C)

Operating in a room which is too cold will cause the compressor to turn off for too long, causing the internal temperature in the appliance to rise, resulting in damage.

### IMPORTANT

**In environments with high humidity** condensation may appear on the external surfaces of the wine conditioning unit.

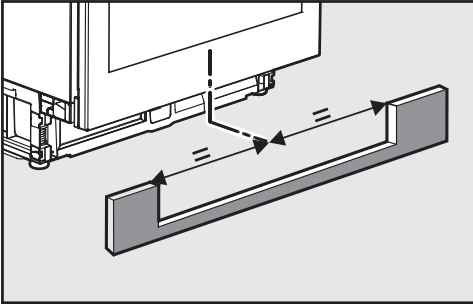
Condensate can cause corrosion on external appliance walls.

For prevention, it is advisable to install the wine conditioning unit with sufficient ventilation in a dry and/or air conditioned room.

After installation make sure that the appliance door closes properly, the air vents are not covered and that the wine conditioning unit has been installed in accordance with these installation instructions.

### Ventilation

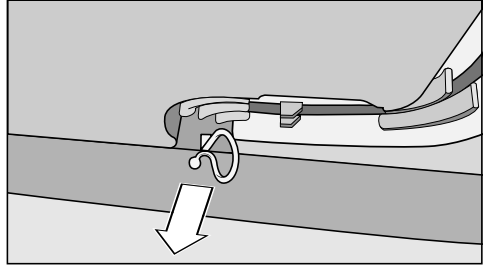
The appliance is ventilated via the ventilation gap in the plinth. This must not be covered over or blocked. Clean the ventilation gap regularly to remove any dust.



The cut-out in the unit base must be in the center of the wine conditioning unit.

### Before installing the wine conditioning unit

- Remove the accessories from the appliance.



- Remove the cord clip from the back of the appliance (depending on model).
- Check that all parts at the back of the appliance are unhindered. Carefully remove any hindrance.

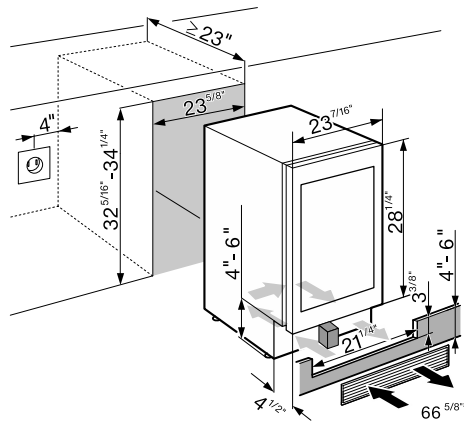
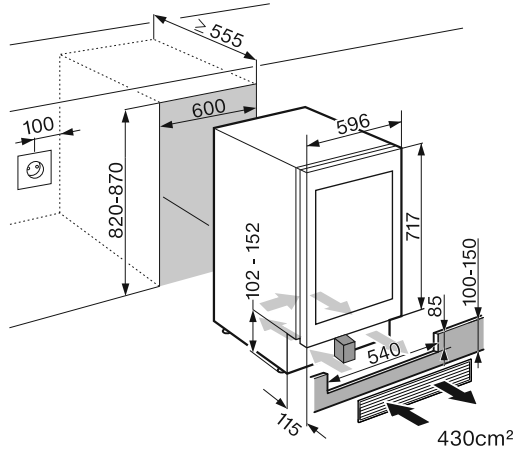
# Installation information

---

## Door opening angle limiter

The door opening angle limiter restricts the opening angle of the appliance door to 90°. For example, this may be necessary if the appliance door hits an adjacent wall when opened (see "Adjusting the door hinges").

## Installation dimensions



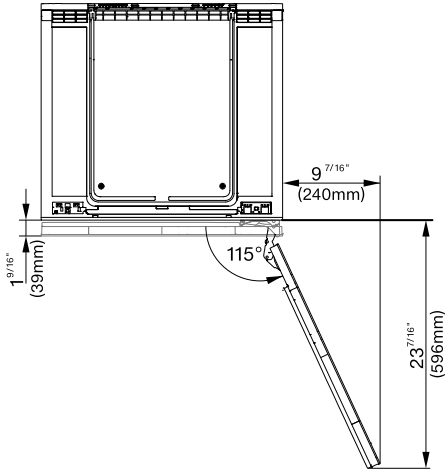
Before installation, and if the appliance is to fit inside a niche, ensure its dimensions are the correct size. The specified air vents must be observed and the cut-out in the plinth facing must be aligned centrally with the appliance in order to ensure the correct functioning of the appliance.

The ventilation grille and foam block supplied must be installed and used together.

# Installation information

---

## View from above





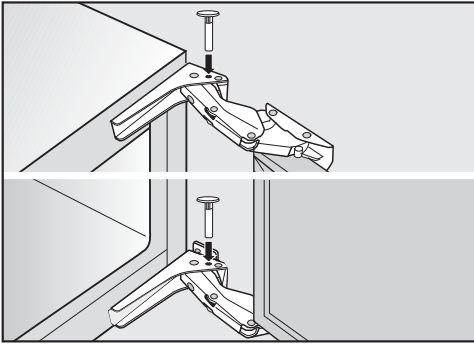
## Adjusting the door hinge

---

The door hinges on the wine conditioning unit are set at the factory to enable the appliance door to be opened wide.

However, if the opening angle of the door needs to be limited for any reason, the hinge can be adjusted to accommodate this.

If, for example, the appliance door hits an adjacent wall when it is opened the, you should limit the opening angle of the appliance door to 90°.



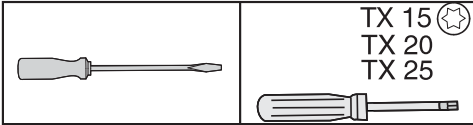
- Insert the pins supplied into the hinges from above.

This will limit the opening angle of the appliance door to 90°.

# Reversing the door hinge

The wine conditioning unit is supplied right-hand hinged. If left-hand hinging is required, the hinges must be changed.

**The following tools are required for changing the door hinging:**

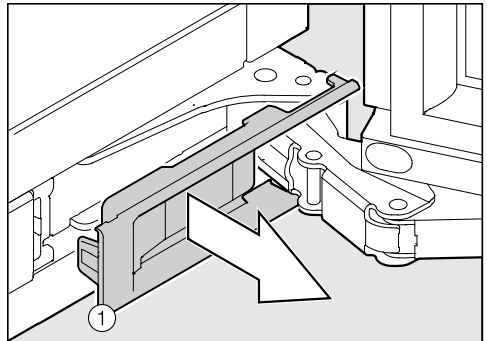
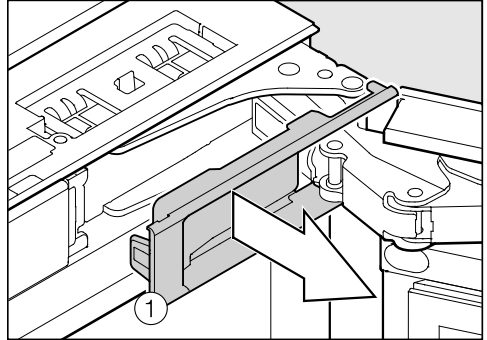


**Warning!** The glass door breaks easily!


Always change the door hinge with the assistance of another person.

- Place a suitable cover on the floor in front of the appliance to protect the glass door and your floor from damage.

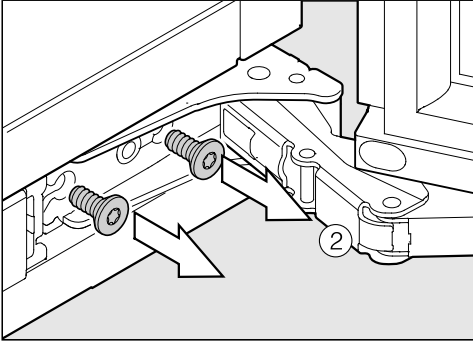
Be careful not to damage the door seal. If the door seal is damaged, the appliance door may not close properly and there will not be sufficient refrigeration.



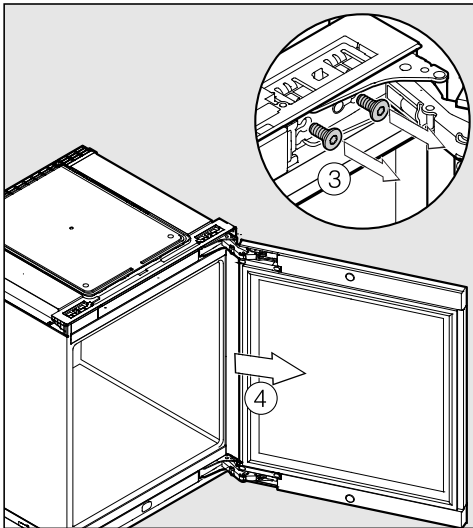
- Remove covers ①.

 The second person must support the appliance door.  
**Caution!** When the hinge is subsequently released, the door is no longer secure.

## Reversing the door hinge



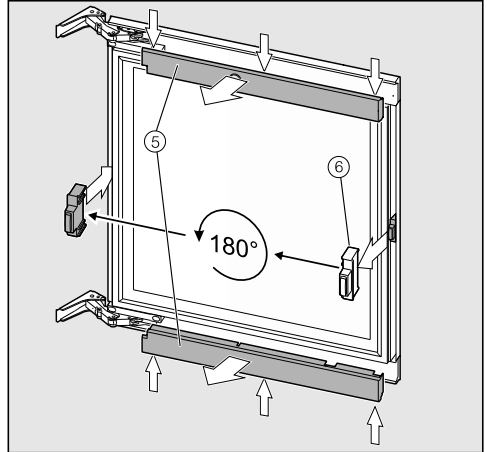
- Remove screws ② first from the lower hinge.



- Remove screws ③ from the upper hinge.
- Remove the appliance door ④.

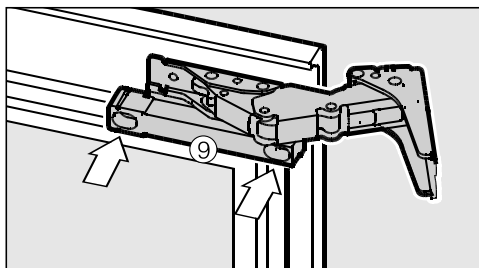
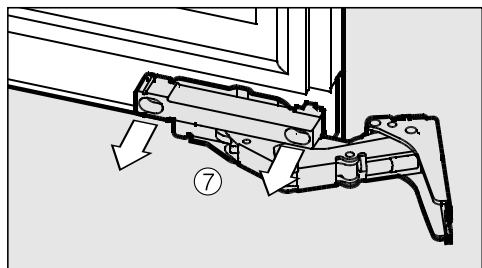
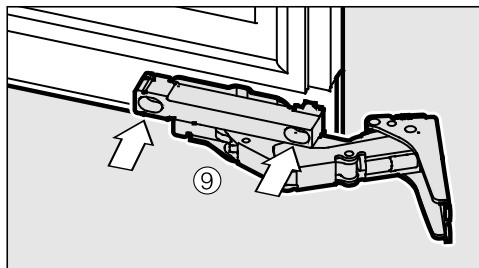
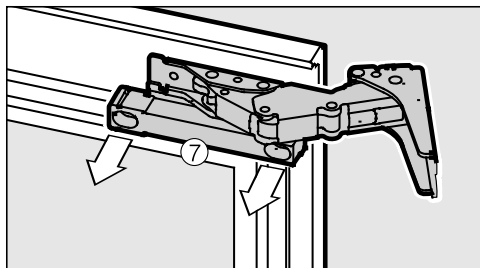
- Place the door with the outer side upwards on a stable surface.

⚠ Risk of injury!  
Do not close the hinges.



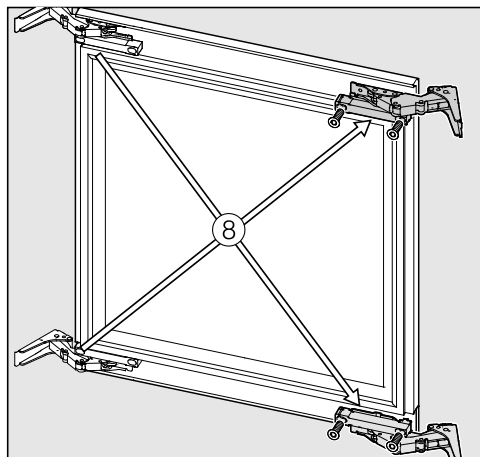
- Unclip upper and lower covers ⑤.
- Remove spacer ⑥ from the appliance door, rotate it 180° and fit it on the opposite side.

## Reversing the door hinge

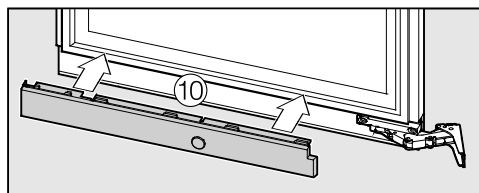
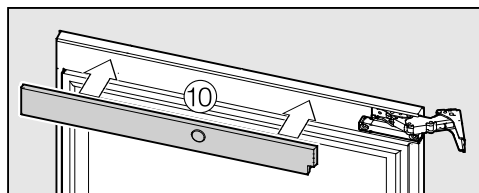


■ Remove the screws ⑦.

■ Replace screws ⑨ again.

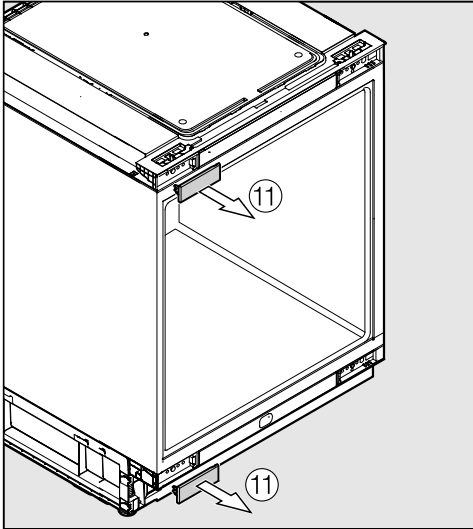


■ Place each hinges ⑧ in the corner diagonally opposite from its original position.

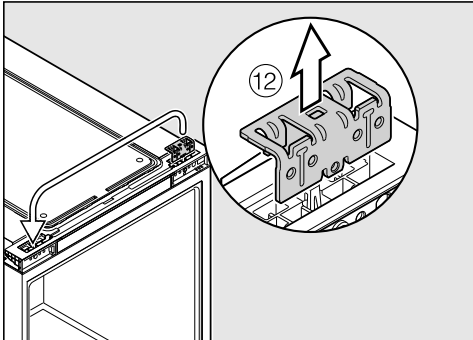


■ Clip covers ⑩ back on. Note the position of the notches on the hinges.

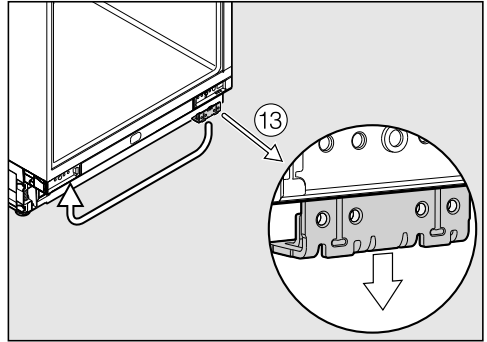
## Reversing the door hinge



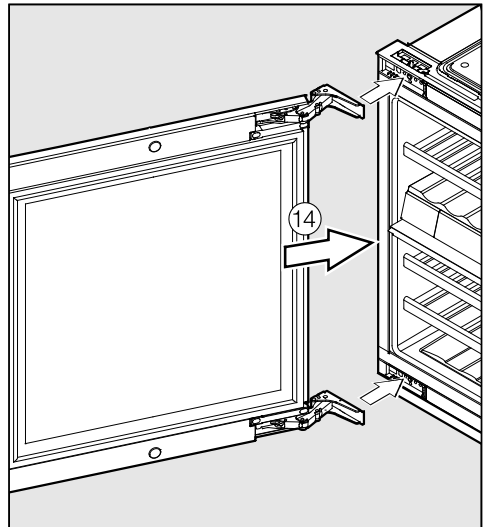
- Remove covers ⑪.



- Take off upper retaining bracket ⑫ and replace it on the opposite side.



- Take off lower retaining bracket ⑬ and replace it on the opposite side.

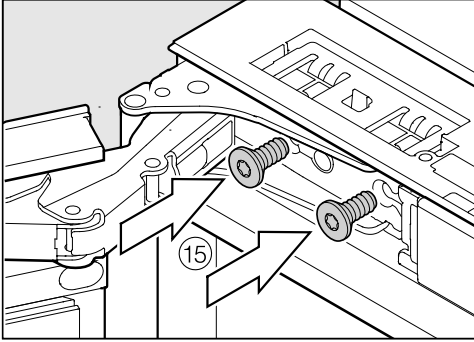


- Fit appliance door ⑭.

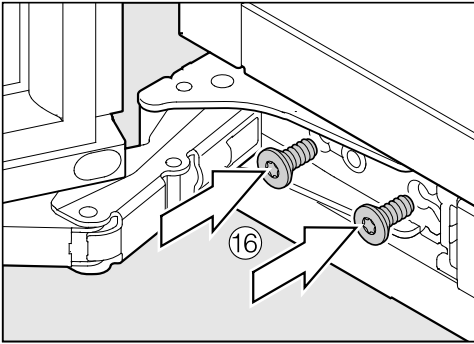
⚠ Risk of injury!  
The second person must support the appliance door.

## Reversing the door hinge

---




- Tighten the screws in upper hinge ⑮.



- Tighten the screws in lower hinge ⑯.
- Now install the wine conditioning unit.

# Installing the wine conditioning unit

 **Warning!** Do not drop the appliance. Risk of injury and damage.

Two people are required for installing this wine conditioning unit.

- Install the wine conditioning unit in a stable, solid housing unit, positioned on an even and level floor.
- The niche must be horizontally and vertically aligned.
- The required air vent cross-sections must be ensured (see "Installation - Ventilation" and "Installation dimensions").

**To install the wine conditioning unit, you will need the following tools:**

- A selection of screwdrivers
- a spirit level
- a tape measure

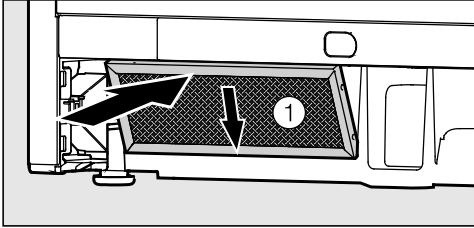
**The following installation parts are required:**

- Ventilation grilles
- Air filter
- Foam block for air filtration in the appliance plinth
- Screws to secure the appliance in the niche
- Wrench to adjust height in the niche

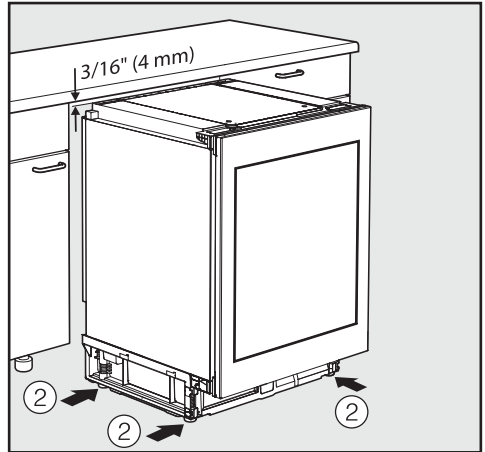
# Installing the wine conditioning unit

## Setting up the wine conditioning unit

The air filter prevents soiling of the compressor compartment to ensure efficient functioning of the appliance.



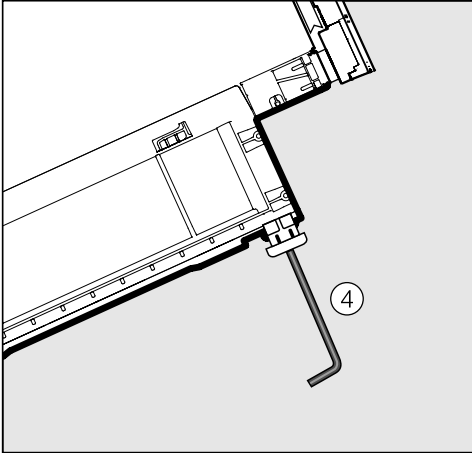
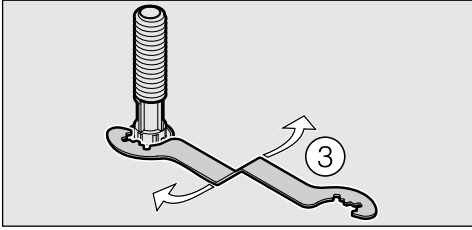
- Carefully remove the protective foil from air filter ①.
- Insert the air filter into the bottom left of the appliance plinth.
- Connect the wine conditioning unit to the power supply (see "Electrical Connection").
- Position the wine conditioning unit in front of the niche.



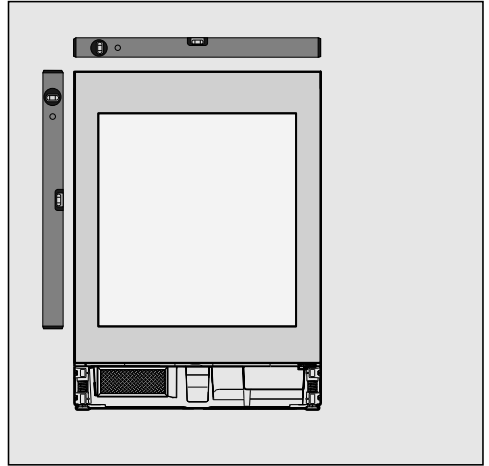
- Turn the adjusting feet ② clockwise until the top of the unit is 3/16" (4 mm) below the height of the niche.



## Installing the wine conditioning unit



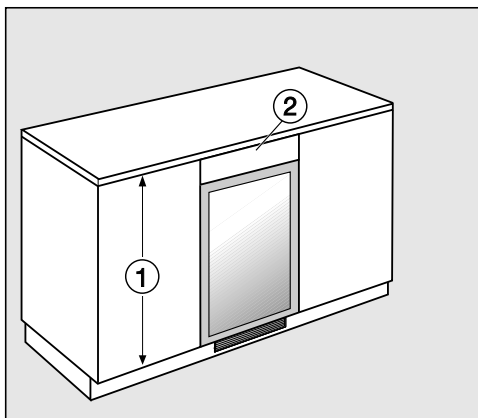
- The feet can be adjusted with the open-ended wrench supplied ③ or with an Allen key ④.



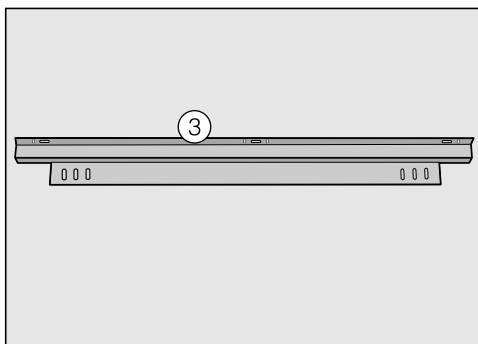
- Align the wine conditioning unit horizontally and vertically. If the wine conditioning unit is not correctly aligned it can distort.
- Check the alignment of adjacent furniture housing doors. If adjacent doors vary in height from the wine conditioning unit, see "Aligning the wine conditioning unit to taller furniture doors".

# Installing the wine conditioning unit

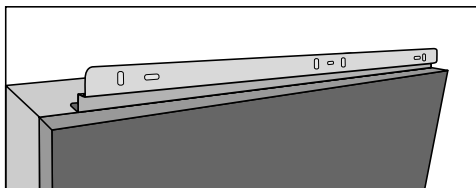
## Aligning the wine conditioning unit to taller furniture doors



If adjacent furniture doors ① are taller than the wine conditioning unit door, the wine conditioning unit can be aligned to the adjacent furniture doors using a filler panel ②.

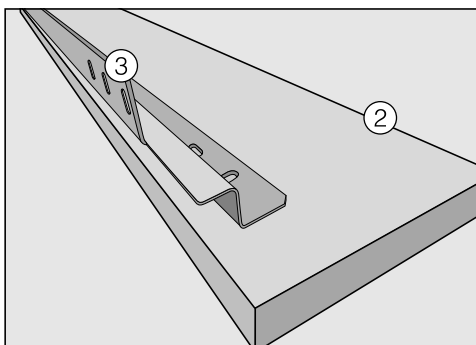


A bracket ③ is required to secure the filler panel, which is available from Miele Technical Service or from your dealer. The filler panel can be fitted above or below the wine conditioning unit as required:



To avoid damaging the wine conditioning unit, the ventilation grille must be positioned precisely in front of the vent outlet! If you wish to fit a trim across the bottom of the wine conditioning unit, make sure it provides adequate ventilation.

The filler panel must be made exactly to measure.



- Secure the bracket ③ to the back of filler panel ②.
- Pull the wine conditioning unit as far as you need to out of the niche so that you can tilt it towards you.
- Loosely screw the bracket with the filler panel to the wine conditioning unit.
- Align the filler panel to the door of the wine conditioning unit over the slotted holes to give a flush finish.

# Installing the wine conditioning unit

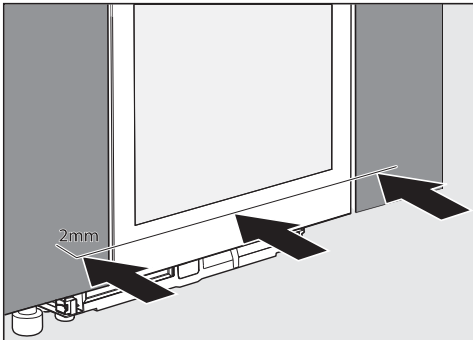
- Now tighten the screws.
- You can now push the wine conditioning unit into the niche.

## Pushing the wine conditioning unit into the niche



Make sure that the power cord does not become trapped or damaged as you push the wine conditioning unit into its installation space.

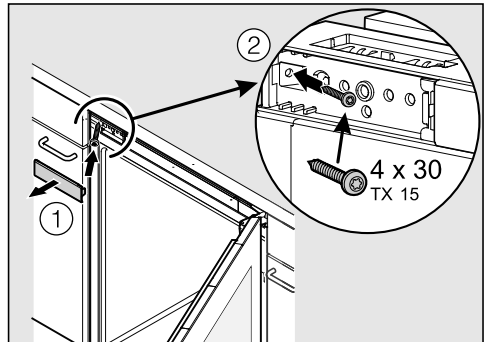
To avoid damage to the flooring which is susceptible to scratching, take great care when pushing the appliance into the niche.



- Push the appliance into the niche until the front of the appliance door is flush with surrounding furniture doors.
- Pull the wine conditioning unit forward so that it stands proud of the furniture doors evenly by 1/16" (2 mm).

## Securing the wine conditioning unit in the niche

- The wine conditioning unit must protrude evenly from the furniture doors by 1/16" (2 mm).
- Open the appliance door.

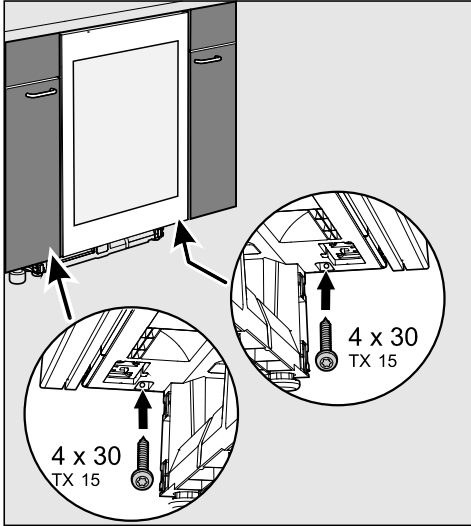


- Remove cover ① and first screw the wine conditioning unit to the adjacent furniture unit at the top left ②.

The wine conditioning unit will align itself to the left side of the niche. The front of the appliance door must be flush with the furniture front.

- Put cover ① back into place.

# Installing the wine conditioning unit



- Screw the wine conditioning unit at the bottom right and left to adjacent furniture units.
- If necessary, a fourth screw can be used in the top right-hand hinge to secure the wine conditioning unit.

To do so, dismantle the door and then fit this extra screw.

- Close the appliance door and check that the side edges of the appliance door are aligned with the side walls of the wine conditioning unit.
- Now connect the wine conditioning unit to the power supply.

When the wine conditioning unit is connected to the power supply, the power connection symbol  $\text{---}\text{G}$  will appear in the display after a short while.



- Touch the On/Off sensor.

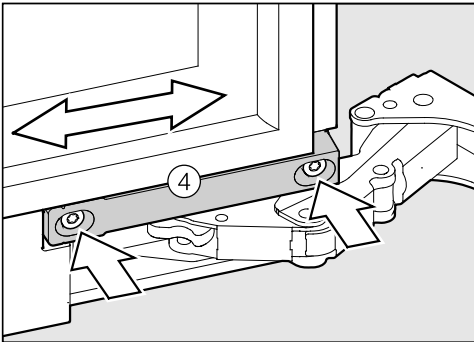
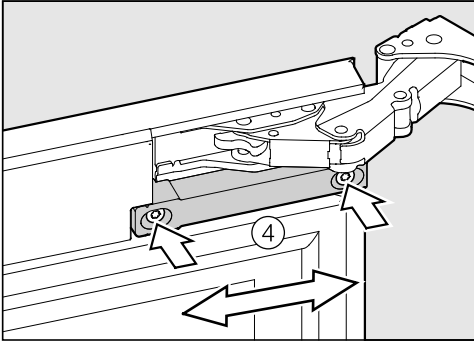
The power connection symbol  $\text{---}\text{G}$  will go out and the wine conditioning unit will start to cool.

The Push2open system on the wine conditioning unit is now activated (see "Guide to the appliance – Door opening aid").

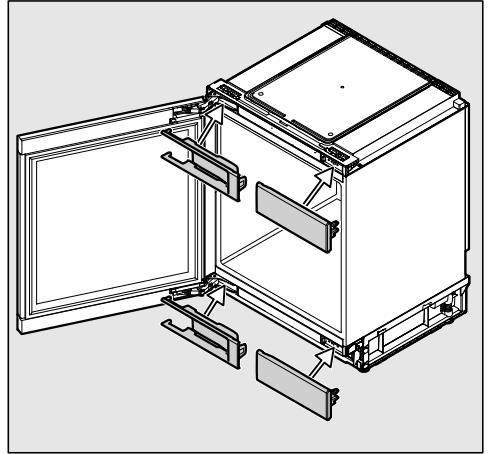
# Installing the wine conditioning unit

## Adjusting the lateral alignment of the appliance door

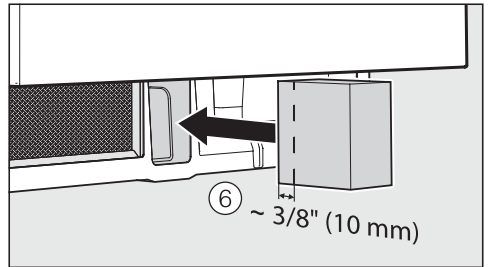
If the appliance door is not aligned with the housing side walls, the appliance door can be adjusted using the screws underneath the hinges.



- Loosen screws ④ and align the appliance door.
- Tighten screws ④ again.



- Secure the covers.

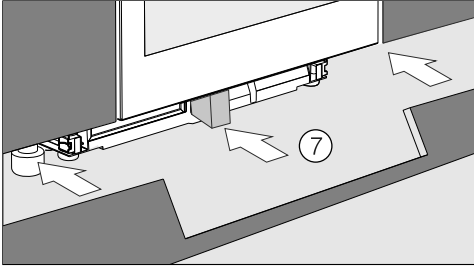


- Insert foam block ⑥ supplied into the appliance plinth.

If the foam block is not fitted, the wine conditioning unit will not achieve optimum cooling and may be damaged.

## Installing the wine conditioning unit

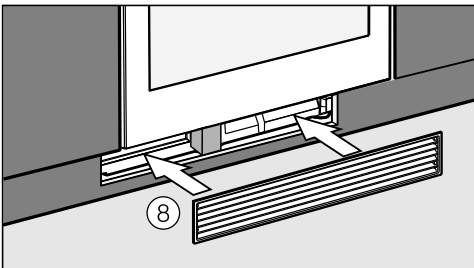
---



- Fit unit base ⑦.



The cut-out in the plinth facing must be in the center of the wine conditioning unit.



- Fit ventilation grille ⑧ into the plinth facing. This will cause the foam block to be pushed back.

The foam block must be resting against the ventilation grille to ensure that the airflow is separated.

Please have the model and serial number  
of your appliance available before  
contacting Technical Service.

---

The Miele logo consists of the word "Miele" in a bold, white, serif font, set against a solid black rectangular background.

## **U.S.A.**

**Miele, Inc.**

### **National Headquarters**

9 Independence Way  
Princeton, NJ 08540  
Phone: 800-843-7231  
Fax: 609-419-4298  
[www.mieleusa.com](http://www.mieleusa.com)

### **Technical Service & Support**

#### **Nationwide**

Phone: 800-999-1360  
Fax: 888-586-8056  
[TechnicalService@mieleusa.com](mailto:TechnicalService@mieleusa.com)

### **International Headquarters**

Miele & Cie. KG  
Carl-Miele-Straße 29  
33332 Gütersloh  
Germany

## **Canada**

**Importer**  
**Miele Limited**

### **Headquarters and Miele Centre**

161 Four Valley Drive  
Vaughan, ON L4K 4V8  
[www.miele.ca](http://www.miele.ca)

### **Customer Care Centre**

Phone: 800-565-6435  
905-532-2272  
[customercare@miele.ca](mailto:customercare@miele.ca)

KWT 6312 UGS



en-US

M.-Nr. 10 530 960 / 00