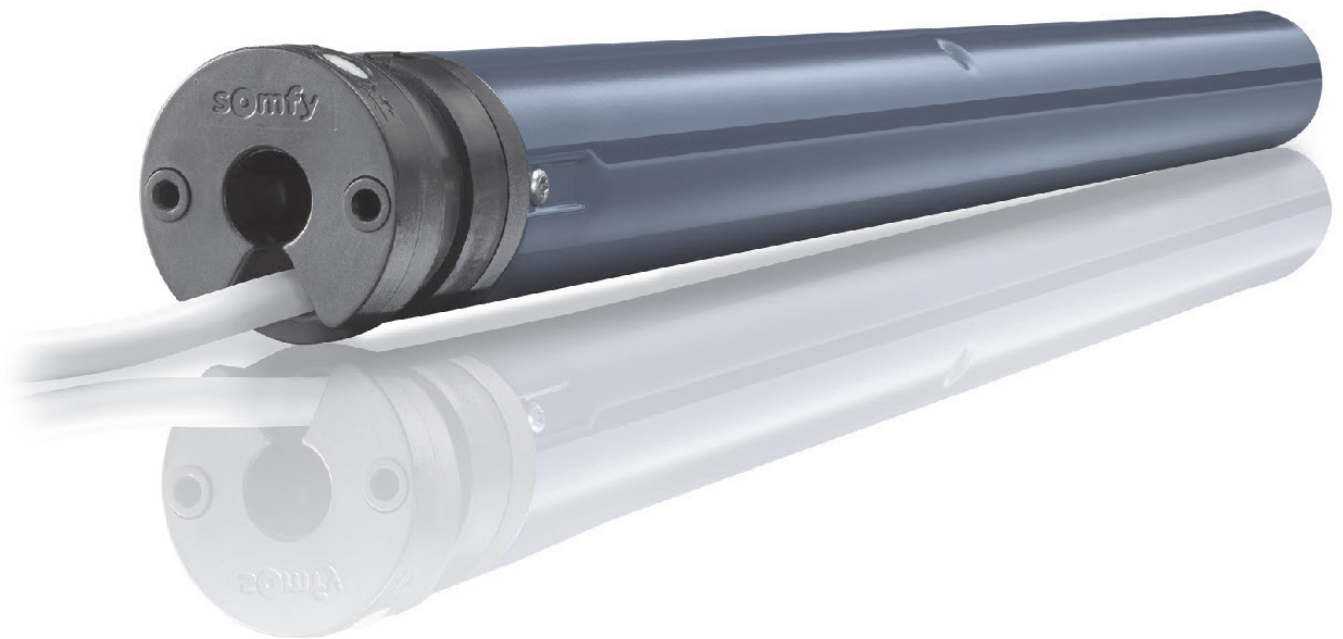


Sonesse® 40

400 Series Databook



Why Somfy?

Somfy is the leading global manufacturer of strong, quiet, motors with electronic and app controls for interior and exterior window coverings. Over 270 million users worldwide enjoy the more than 150 million motors produced since 1980. For more than four decades, Somfy engineers have designed products for both the commercial and residential markets to motorize window coverings such as interior shades, wood blinds, draperies, awnings, rolling shutters, exterior solar screens and projection screens. Somfy motorization systems are easily integrated with security, HVAC and lighting systems, providing total home or building automation.

Somfy has a committed customer support team comprised of Somfy motor and control specialists available for assistance:

Somfy Corporate Headquarters

800-22-SOMFY (76639)

General Customer Service

877-210-5327

CustomerService_us@somfy.com

Standard Purchase Order

Ordering_us@somfy.com

Rush Purchase Order

ExpeditedShippingOrders_us@somfy.com

Accounting Inquiries

AccountsReceivable@somfy.com

Technical Support

877-233-0019

TechnicalSupport_us@somfy.com

Warranty Claim Requests

us_Return@somfy.com

- Somfy has a production capacity of more than 70,000 motors per day.
- Somfy motors have over 600 standards approvals worldwide.
- Somfy has certified over 100 patents since the year 2000.
- Every Somfy motor goes through an extensive quality assurance process including testing in extreme environmental conditions, for electrostatic discharge, mechanical shock, and high life cycle.
- Somfy has a network of 15,000 trained professional installers throughout the world.



Somfy operates in 60 countries, with 76 subsidiaries, and 60 agencies spread across 5 continents. With 8 production centers, Somfy is an efficient and reactive industry leader. Thanks to its strict quality standards, Somfy is able to satisfy the needs of over 270 million users worldwide.



Somfy understands that training and support are critical to success. Somfy's Expert Program has been developed to provide a platform for those who want to enhance their expertise of motorization and control solutions. Visit www.somfysystems.com/expert-program to learn more and sign up for training.

TABLE OF CONTENTS

INTRODUCTION

Somfy's 40mm Motor Range	2
--------------------------------	---

MOTOR SPECIFICATIONS

Sonesse® 40 WT	6
Sonesse® 40 RTS	7
LS 40 WT	8
ALTUS® 40 RTS	9

CONTROL ACCESSORIES

Radio Technology Somfy® (RTS)	10-11
Wired Controls	12-13

MECHANICAL ACCESSORIES, LIGHT GAP SPECIFICATIONS & BRACKET PROJECTIONS

Acmeda®	14-15
Somfy Decorator Type	16-17
RollEase® Skyline	18
Somfy CTS 40	19
RollEase® and ZMC® Fascia & Cassette Solutions	20
Additional Somfy Brackets, Crowns & Drives for 400 Series Motors	21

Acmeda® is a registered trademark of Acmeda International Group Incorporated

RollEase® is a registered trademark of RollEase® Inc. - Stamford, CT.

Crestron® is a registered trademark of Crestron Electronics, Inc.

ZMC® is a registered trademark of ZMC® Window Coverings

Universal Remote Control, Inc. is a trademark of Universal Remote Control, Inc.

Amazon, Alexa, and all related logos are the trademarks of Amazon.com, Inc. or its affiliates.

Somfy's 40mm Motor Range

This document is a presentation of accessories and specifications related to the Sonesse® 40 (RTS & Wired), Altus® 40 RTS and LS 40 Wired motors. It provides the technical information needed to order, fabricate, and sell the complete range of Somfy's 40 mm motors. For additional information regarding any of the products in this document including motors, power sources, controls, interfaces, etc., please reference www.somfysystems.com where detailed instructions are available for download.

Conveniently Quiet - Sonesse® 40 (RTS & Wired)

The Sonesse® 40 Range with patent pending technology features a newly designed brake, rotor and gearbox to further reduce motor operating sound. Available in both RTS and wired versions, the Sonesse 40 can be used in a variety of interior window covering applications.

Power, Simplicity, and Convenience - Altus® 40 (RTS)

The Altus® 40 RTS features an integrated radio receiver within the motor which eliminates any wiring between the motor and controls. Available in two torques 4Nm and 9Nm, the Altus 40 RTS is ideal for exterior product applications.

Proven Strength and Reliability – LS 40 (Wired)

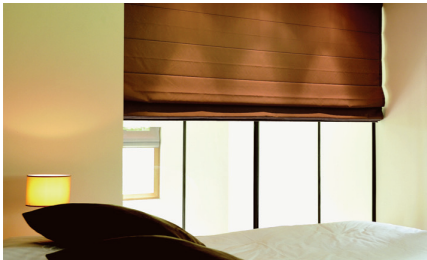
The LS 40 motor is Somfy's original 40 mm solution. This robust and durable motor is available in a wide variety of torques and speeds and is a dependable source for exterior applications.

Solar/Roller Shades





Sheer Horizontal Shades



Roman/Woven Shades



Horizontal Blinds



Awnings



Rolling Shutters



Exterior Solar Screens



Radio Technology Somfy®

Radio Technology Somfy (RTS) allows wireless radio control of motorized window coverings via the RTS family of controls.



Offers control via standard AC switching.



As with all Somfy products, motors are backed by a 5 year warranty.

Sonesse® 40 - Designed to set the new acoustic standard.

The most compact, adaptable and quiet 40 mm AC motor dedicated to interior window coverings.

The Sonesse® 40 range features 4 patents pending that reduce motor operating sound. The brake, rotor, and gearbox are all specially designed to absorb sources of noise. Available in both RTS and Wired, the Sonesse 40 can be used to motorize a variety of applications. The Sonesse 40 is compatible with Somfy's full range of controls and accessories including the Telis Modulis RTS, a hand-held remote with a scroll wheel exclusively designed for the precise control of blind slats.

SOMFY DESIGNED FOR SILENCE - Quietness Scale



The Sonesse® range of motors are rated according to their quietness. The volume scale below appears on all Sonesse range specification pages and designates the motor's level of sound output.

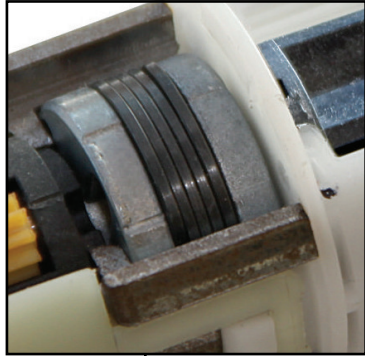


Situo 5 Variation RTS
Hand-held Remote

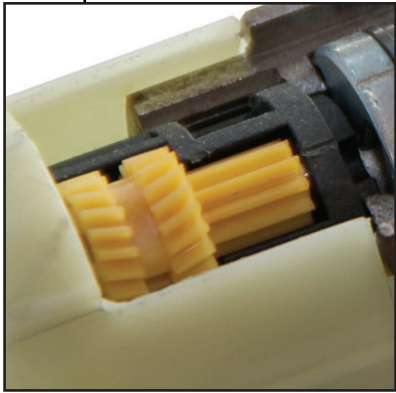
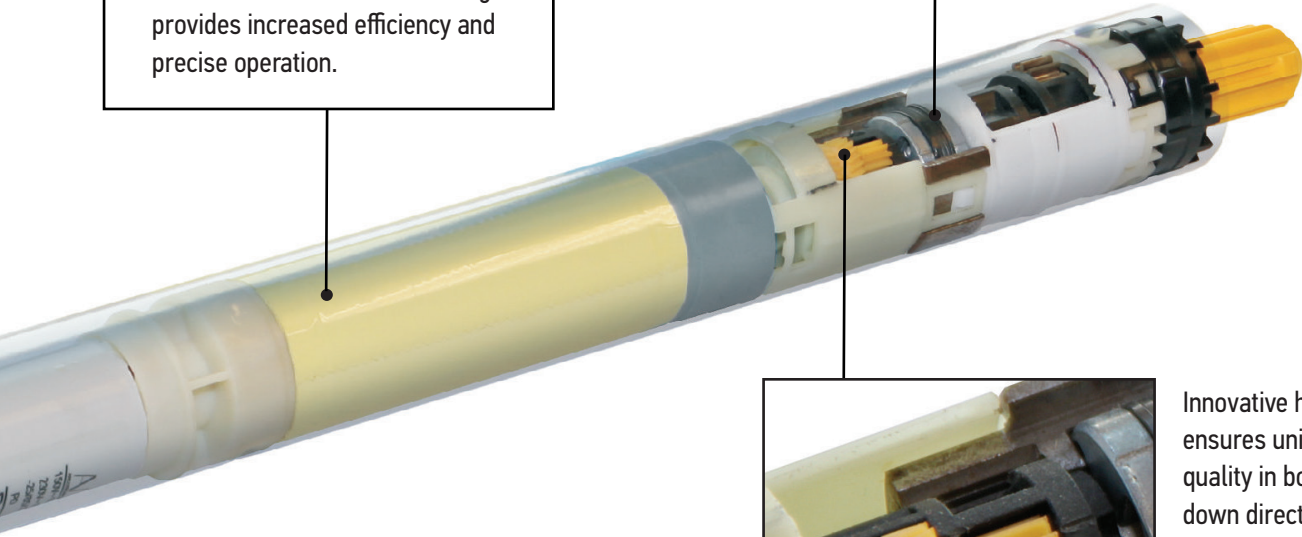




Asynchronous, maintenance-free motor with enhanced rotor design provides increased efficiency and precise operation.



New and improved spring brake eliminates stopping and tilting noise.



Innovative helical gearbox ensures uniform sound quality in both up and down directions.

Sonesse® 40 WT

404S2 1240377
406A2 1240378
409R2 1240379

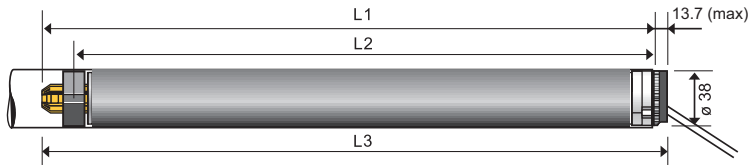


Offers control via power switching

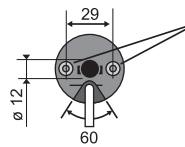
Technical Features

Voltage Supply	120V AC	Limit Switch Capacity	40 Turns
Index Protection Rating (interior use only)	Motor: IP 44 Fast Connector: IP55	Temperature Working Range	32°F to 140°F (0°C to 60°C)
Limit Switch Type	Progressive Adjustment (PA)	Insulation Class	Class 1 for 120V AC

Dimensions



NOTE: Illustration dimensions in millimeters (mm).



2 mounting holes for self tapping screws.
Dia. 4 mm (cat #100405B) Depth 9 mm
spaced 1.14" (29 mm) apart.

Self tapping mounting screws are included with each motor.

Dimensions	404S2	406A2	409R2
L1	18.19 in. (462 mm)	19.45 in. (494 mm)	19.45 in. (494 mm)
L2	17.36 in. (441 mm)	18.62 in. (473 mm)	18.62 in. (473 mm)
L3	18.82 in. (478 mm)	20.08 in. (510 mm)	20.08 in. (510 mm)
Cable Length	1.6 ft (.5 m) to Fast Connector		

Specifications

	404S2	406A2	409R2
Torque	4 Nm	6 Nm	9 Nm
Nominal Voltage	120V / 60Hz		
Rated Current	.95 A	1.2A	.98A
Speed	36 rpm	24 rpm	14 rpm
Thermal Protection	4 minutes		
Sound Level*	42 dBA	44 dBA	40 dBA

Sound level:

*According to standards ISO 3741 NF 31022 in dBA ref 1pW at nominal torque without end product.

Fabrication recommendations:

- Operational noise level is reduced when motor, tube, and mechanical accessories are properly adapted to motorized applications.
- Free plays have to be minimized between the accessories and the end product tube to ensure quiet performance of the motor.
- Interior Tube Diameter (ID) > or = 38mm must be respected to prevent contact with the basic motor tube.
- 400 Series Drive Stop and Screw (9147894) is recommended to prevent noise and drive wheel separation from motor shaft.



Type of power cable

Wired
120V AC / 60Hz
4-Conductor 1.6 ft. SJTW Cable on Motor with Fast Connector



Extension cable (sold separately)

4 Conductor Fast Connector Extension Cable with Open Leads

9021117	4.4 ft.
9021118	8.4 ft.
9021120	16.4 ft.
9021121	22.4 ft.

Sonesse® 40 RTS

404S2 1240380
406A2 1240381
409R2 1240382

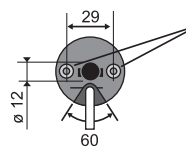
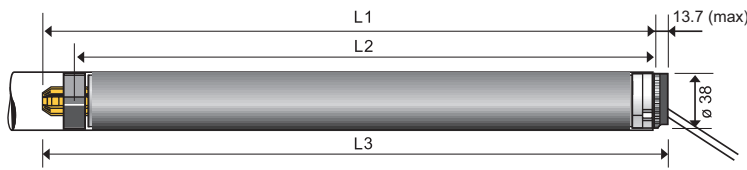


Radio Technology Somfy® (RTS) allows for wireless radio control of motorized window coverings via the RTS family of controls.

Technical Features

Voltage Supply	120V AC	Limit Switch Capacity	200 Turns
Index Protection Rating (interior use only)	Motor: IP 44 Fast Connector IP55	Temperature Working Range	32°F to 140°F (0°C to 60°C)
Limit Switch Type	Electronic (RTS)	Insulation Class	Class 1 for 120V AC
		Antenna	Integrated into power cord. Power cord must be at least 12 inches and must not come in contact with metal.

Dimensions



Dimensions	404S2	406A2	409R2
L1	19.96 in. (507 mm)	21.18 in. (538 mm)	21.18 in. (538 mm)
L2	19.00 in. (483 mm)	20.24 in. (514 mm)	20.24 in. (514 mm)
L3	20.5 in. (520 mm)	21.69 in. (551 mm)	21.69 in. (551 mm)
Cable Length	1.6 ft (.5 m) to Fast Connector		

Specifications

	404S2	406A2	409R2
Torque	4 Nm	6 Nm	9 Nm
Nominal Voltage	120V / 60Hz		
Rated Current	.95 A	1.2A	.98A
Speed	36 rpm	24 rpm	14 rpm
Thermal Protection	4 minutes		
Radio Frequency	433.42 MHz		
Sound Level*	42 dBA	44 dBA	40 dBA

Sound level:

*According to standards ISO 3741 NF 31022 in dBA ref 1pW at nominal torque without end product.

Fabrication recommendations:

- Operational noise level is reduced when motor, tube, and mechanical accessories are properly adapted to motorized applications.
- Free plays have to be minimized between the accessories and the end product tube to ensure quiet performance of the motor.
- Interior Tube Diameter (ID) > = 38mm must be respected to prevent contact with the basic motor tube.
- 400 Series Drive Stop and Screw (9147894) is recommended to prevent noise and drive wheel separation from motor shaft.



Type of power cable

RTS
120V AC / 60Hz
3-Conductor 1.6 ft. SJTW Cable on Motor with Fast Connector



Extension cables (sold separately)



3 Conductor Fast Connector Extension Cable with NEMA Plug (RTS & RS485)

9021113	1.4 ft.	9021114	4.4 ft.
9021115	8.4 ft.	9020791	10.4 ft.
9020792	18 ft.	9020793	24 ft.



3 Conductor Fast Connector Extension Cable with Open Leads or No NEMA

9021157 8.4 ft.



3 Conductor Panel Mount Female Fast Connector for direct connection to J-Box

9026398 Panel Mount Female Fast Connector

LS 40 WT



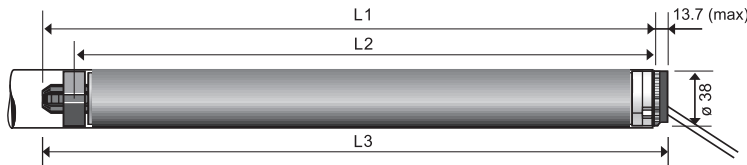
Offers control via power switching

404S2	1020140
404R2	1021340
409R2	1023322
412R2	1024192

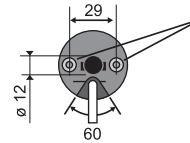
Technical Features

Voltage Supply	120V AC	Limit Switch Capacity	40 Turns
Index Protection Rating	IP 44	Temperature Working Range	14°F to 104°F (-10°C to 40°C)
Limit Switch Type	Progressive Adjustment (PA)	Insulation Class	Class 1 for 120V AC

Dimensions



NOTE: Illustration dimensions in millimeters (mm).



2 mounting holes for self tapping screws.
Dia. 4 mm (cat #100405B) Depth 9 mm spaced 1.14" (29 mm) apart.
Self tapping mounting screws are included with each motor.

Dimensions	404S2	404R2	409R2	412R2
L1	18.46 in. (469 mm)	18.46 in. (469 mm)	18.46 in. (469 mm)	18.46 in. (469 mm)
L2	17.64 in. (448 mm)	17.64 in. (448 mm)	17.64 in. (448 mm)	17.64 in. (448 mm)
L3	19.09 in. (485 mm)	19.09 in. (485 mm)	19.09 in. (485 mm)	19.09 in. (485 mm)
Cable Length	6.5 ft (2 m)			

Specifications

	404S2	404R2	409R2	412R2
Torque	4 Nm	4 Nm	9 Nm	12 Nm
Nominal Voltage	120V / 60Hz			
Rated Current	.95 A	.85 A	1.05 A	1.05 A
Speed	36 rpm	18 rpm	18 rpm	10 rpm
Thermal Protection	5 minutes			
Sound Level*	57 dBA	57 dBA	54 dBA	54 dBA

Sound level:

*According to standards ISO 3741 NF 31022 in dBA ref 1pW at nominal torque without end product.

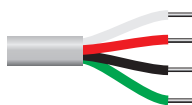
Fabrication recommendations:

- Operational noise level is reduced when motor, tube, and mechanical accessories are properly adapted to motorized applications.
- Free plays have to be minimized between the accessories and the end product tube to ensure quiet performance of the motor.
- Interior Tube Diameter (ID) > or = 38mm must be respected to prevent contact with the basic motor tube.
- 400 Series Drive Stop and Screw (9147894) is recommended to prevent noise and drive wheel separation from motor shaft.

Type of power cable

Wired

120V AC / 60Hz
4 conductor cable



white = neutral
red = direction 1
black = direction 2
green = ground

Altus® 40 RTS

404S2 1240260
409R2 1240261

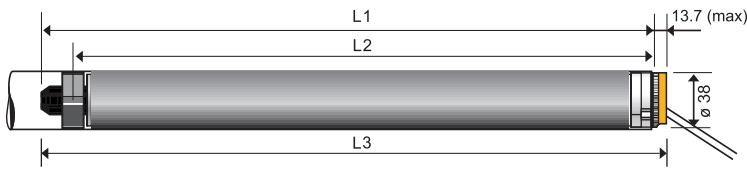


Radio Technology Somfy® (RTS) allows for wireless radio control of motorized window coverings via the RTS family of controls.

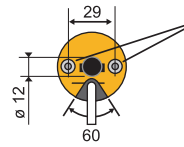
Technical Features

Voltage Supply	120V AC	Limit Switch Capacity	200 Turns
Index Protection Rating	Motor: IP 44 Fast Connector: IP55	Temperature Working Range	14°F to 104°F (-10°C to 40°C)
Limit Switch Type	Electronic (RTS)	Insulation Class	Class 1 for 120V AC
		Antenna	Integrated into power cord. Power cord must be at least 12 inches and must not come in contact with metal.

Dimensions



NOTE: Illustration dimensions in millimeters (mm).



2 mounting holes for self tapping screws. Dia. 4 mm (cat #100405B) Depth 9 mm spaced 1.14" (29 mm) apart.

Self tapping mounting screws are included with each motor.

Dimensions	404S2	409R2
L1	20.08 in. (510 mm)	20.87 in. (530 mm)
L2	19.13 in. (486 mm)	19.92 in. (506 mm)
L3	20.59 in. (523 mm)	21.38 in. (543 mm)
Cable Length	1.6 ft (.5 m) to Fast Connector	

Specifications

	404S2	409R2
Torque	4 Nm	9 Nm
Nominal Voltage	120V / 60Hz	
Rated Current	.95 A	1.05 A
Speed	36 rpm	18 rpm
Thermal Protection	5 minutes	
Radio Frequency	433.42 MHz	
Sound Level*	57 dBA	54 dBA

Sound level:

*According to standards ISO 3741 NF 31022 in dBA ref 1pW at nominal torque without end product.

Fabrication recommendations:

- Operational noise level is reduced when motor, tube, and mechanical accessories are properly adapted to motorized applications.
- Free plays have to be minimized between the accessories and the end product tube to ensure quiet performance of the motor.
- Interior Tube Diameter (ID) > or = 38mm must be respected to prevent contact with the basic motor tube.
- 400 Series Drive Stop and Screw (9147894) is recommended to prevent noise and drive wheel separation from motor shaft.

Type of power cable

RTS
120V AC / 60Hz
3-Conductor 1.6 ft. SJTW Cable on Motor with Fast Connector



Extension cables (sold separately)



3 Conductor Fast Connector Extension Cable with NEMA Plug (RTS & RS485)

9021113	1.4 ft.	9021114	4.4 ft.
9021115	8.4 ft.	9020791	10.4 ft.
9020792	18 ft.	9020793	24 ft.



3 Conductor Fast Connector Extension Cable with Open Leads or No NEMA

9021157	8.4 ft.
---------	---------



Panel Mount Female Fast Connector for direct connection to J-Box

9026398	Panel Mount Female Fast Connector
---------	-----------------------------------

CONTROL ACCESSORIES

Learn more about controls and accessories and download RTS brochure at www.somfy.com/controls



RADIO TECHNOLOGY SOMFY® (RTS)

SITUO & TELIS COLLECTIONS



Situotm 1 RTS
Pure Single
Channel Remote
1870571



Situotm 5 RTS
Pure Five
Channel Remote
1870575



Situotm 1 RTS
Iron Single
Channel Remote
1870572



Situotm 5 RTS
Iron Five
Channel Remote
1870576



Situotm 1 RTS
Natural Single
Channel Remote
1870573



Situotm 5 RTS
Natural Five
Channel Remote
1870577



Situotm 1 RTS
Arctic Single
Channel Remote
1870574



Situotm 5 RTS
Arctic Five
Channel Remote
1870578



Situotm 5 RTS
Soliris Five
Channel Remote
1870579



Situotm 5 RTS
Variation Five
Channel Remote
1811612



Telis 1 RTS Patio
Single Channel
Remote
1810643



Telis 4 RTS Patio
Five Channel
Remote
1810645



Telis 16 Channel RTS
Pure Remote with
On-screen display
1811081



Telis 16 Channel RTS
Silver Remote with
On-screen display
1811082



Telis 1 Chronis RTS
Pure Timer with
On-screen display
1805237

DECOFLEX WIREFREE™ WALL SWITCHES



DecoFlex WireFree™
RTS 1 Channel
Wall Switch



DecoFlex WireFree™
RTS 2 Channel
Wall Switch



DecoFlex WireFree™
RTS 3 Channel
Wall Switch



DecoFlex WireFree™
RTS 4 Channel
Wall Switch



DecoFlex WireFree™
RTS 5 Channel
Wall Switch

SMOOVE® WALL SWITCH



Smoove® 1 RTS Pure
1811533



Smoove® 4 RTS Pure
1811748

- Wall switches shown in white. Also available in black and ivory finishes.
- Shown assembled with printed channel buttons.
- Custom engraved buttons are also available.

Visit tools page for software to configure keypads, www.somfypro.com/decoflex-custom-button



Black



Ivory



- Battery-operated convenience
- Surface mounts with ease
- Frames available in 7 colors
- Double-gang Pure frame available

TABLE TOP ACCESSORIES



DecoFlex WireFree™ RTS
Table Top Accessory
Black
1811051*



DecoFlex WireFree™ RTS
Table Top Accessory
Silver
1810972*



DecoFlex WireFree™ RTS
Table Top Accessory
White
1811185*

*DecoFlex Switch sold separately from Table Top Accessory.

CONTROL ACCESSORIES

RADIO TECHNOLOGY SOMFY® (RTS)



ZRTSI



Z-Wave to RTS Interface II

1811265

WIFI TO RTS/ZIGBEE INTERFACE



myLink™ RTS Smartphone & Tablet Interface*

Control window coverings, awnings, screens and rolling shutters using your tablet, smartphone or voice. Create timed events, scenes and more. Integration-ready for third-party control.



IFTTT



TaHoma® RTS/Zigbee Smartphone & Tablet Interface

1811731

TAHOMA ETHERNET ADAPTOR



TaHoma® Ethernet Adaptor adds an Ethernet LAN port to TaHoma, providing fast and stable internet connection.

1870470

**myLink will be replaced by TaHoma in early 2022.*

16 CHANNEL INTERFACE



Universal RTS Interface 16-Channel (Converts IR, RS232, RS485 to RTS)

1810872

RTS REPEATER



RTS Repeater

1810791

OUTDOOR RECEIVERS



Outdoor Lighting Receiver

1810875

Universal RTS Receiver

1810627

DRY CONTACT INTERFACE



RTS Dry Contact Interface Single Channel

1810493

SUNIS INDOOR SENSORS



Sunis Indoor WireFree™ RTS

9013707

EOLIS SENSOR



Eolis RTS Wind Sensor 24V

9012499

SOLIRIS SENSOR



Soliris RTS Sun and Wind Sensor 24V

9012500

Please visit www.somfysystems.com/controls for additional control info.

CONTROL ACCESSORIES

WIRED AC CONTROLS & SWITCHES

WIRED TECHNOLOGY



DECORATOR TOGGLE SWITCHES (single pole, double throw) & SWITCHPLATES



Maintained Toggle Switch
(White)
1800381



Maintained Toggle Switch
(Ivory)
1800380



Momentary Toggle Switch
(White)
1800383



Momentary Toggle Switch
(Ivory)
1800382



Plastic Toggle Switchplate
(White)
9011963



Plastic Toggle Switchplate
(Ivory)
9011962

DECORATOR PADDLE SWITCHES & SWITCHPLATES



Maintained Paddle Switch
(White)
1800374



Maintained Paddle Switch
(Ivory)
1800373



Momentary Paddle Switch
(White)
1800378



Momentary Paddle Switch
(Ivory)
1800377



Maintained Double Pole,
Double Throw Paddle Switch
(White)
1800375



Maintained Double Pole,
Double Throw Paddle Switch
(Ivory)
1800376



Single Gang Paddle Switchplate
(White)
9011967



Single Gang Paddle Switchplate
(Ivory)
9011966

5 POSITION SWITCH

ROCKER SWITCHES



5 Position AC Decorator
Rocker Switch with Tilting Control
(White)
1800388



Decorator Rocker Switch
Double Pole, Double Throw
Maintained (White)
1800341



Decorator Rocker Switch
Double Pole, Double Throw
Maintained (Ivory)
1800342



Decorator Rocker Switch
Double Pole, Double Throw
Momentary (White)
1800345



Decorator Rocker Switch
Double Pole, Double Throw
Momentary (Ivory)
1800344

DECORATOR/DESIGNER PADDLE SWITCHES



Decorator/Designer Paddle Switch
Single Pole Maintained
(White)
1800374



Decorator/Designer Paddle Switch
Single Pole Maintained
(Ivory)
1800373



Decorator/Designer Paddle Switch
Single Pole Momentary
(White)
1800378



Decorator/Designer Paddle Switch
Single Pole Momentary
(Ivory)
1800377



Decorator/Designer Switch
Maintained (Double Pole)
(Ivory)
1800376

CONTROL ACCESSORIES

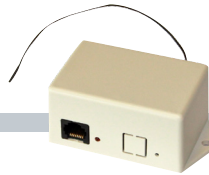


WIRED AC CONTROLS & SWITCHES

INDIVIDUAL GROUP CONTROL (IGC) 4N1 MOTOR CONTROLLER



IGC 4N1 Motor Controller
1811416



IGC 4N1 RTS Radio Receiver
1811492



DecoFlex Dry Contact Keypad
1811402

IGC 4N1 Motor Controller Shutter Mode
1870902



IGC II Gang Electric Box
3.5" Deep
9013166



IGC RTS Radio Receiver (Momentary)
1810481



animeo® IB+ TouchBuco™
1860254 (4 Zone)
1860255 (8 Zone)



animeo® IB+ TouchBuco™ BACnet
1860308 (4 Zone),
1860309 (8 Zone)

GROUP CONTROL SYSTEM II (GCS II)



Group Control System II (GCS II)
1810476

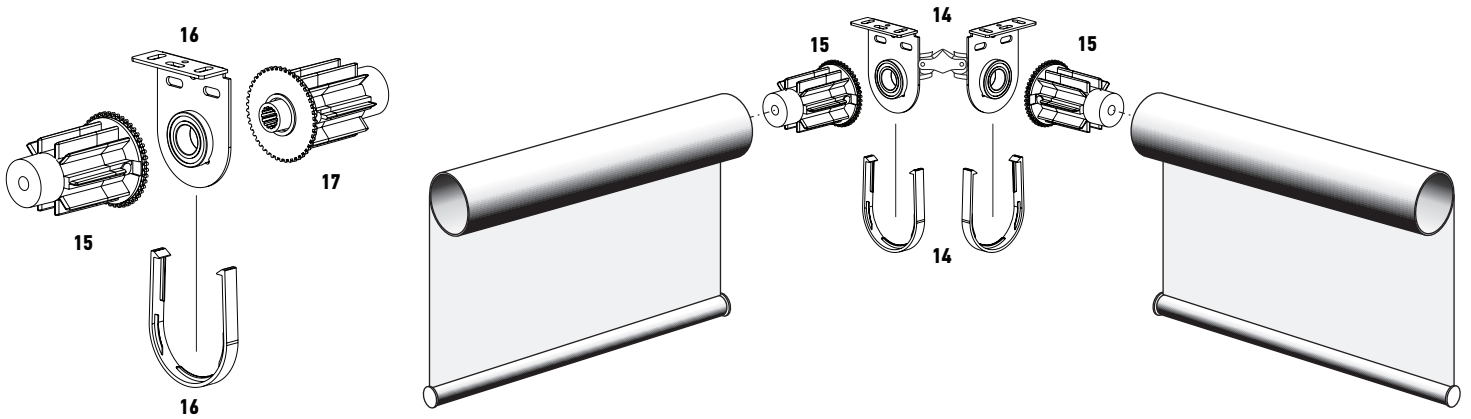


GCS II RTS Radio Receiver (Maintained)
1810854

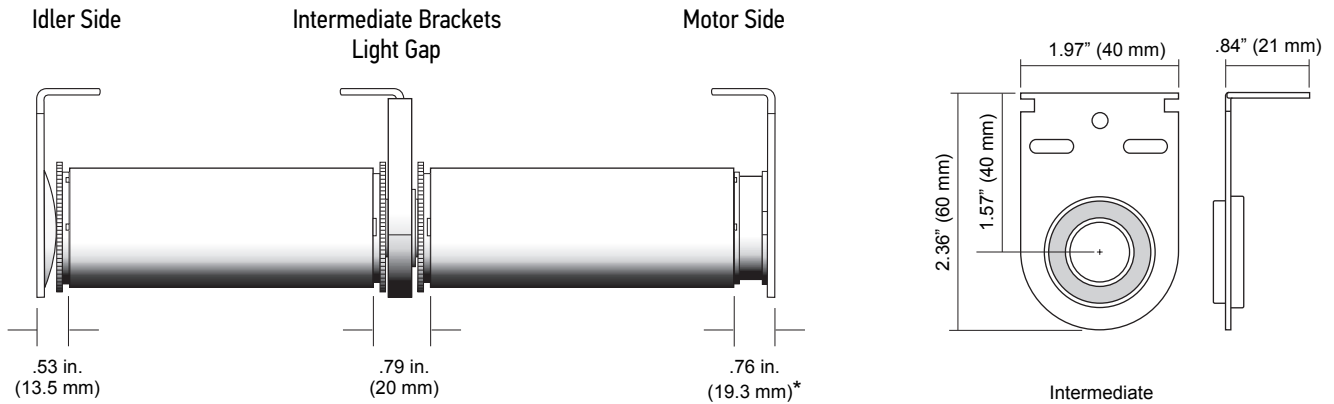
400 SERIES MECHANICAL ACCESSORIES

ACMEDA® SYSTEM

INTERMEDIATE BRACKET COMPONENTS



DIMENSIONS AND LIGHT GAP SPECIFICATIONS



* With motor bracket adaptor plate #9013789

PRODUCT CHART

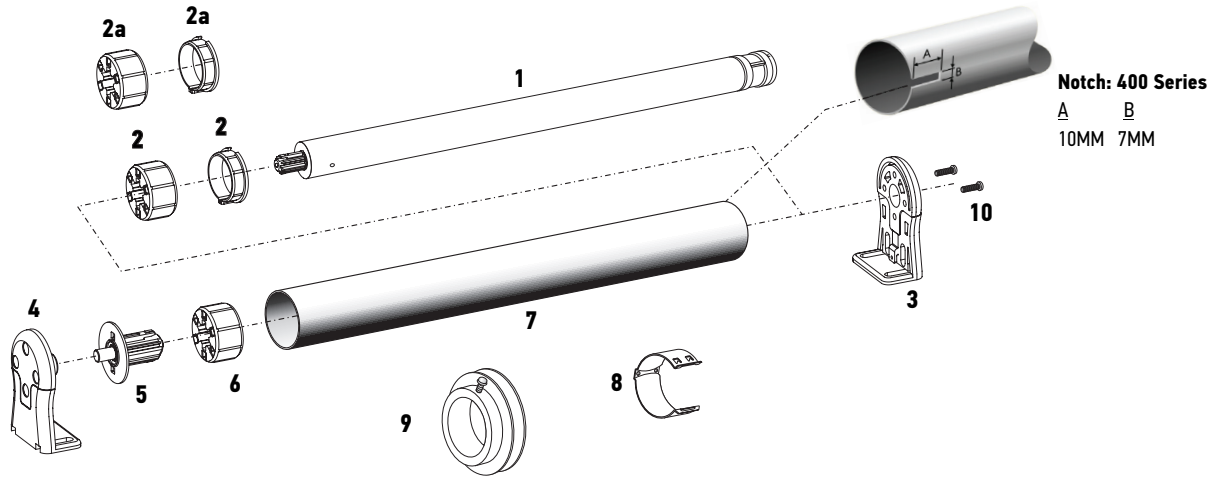
IMAGE	DESCRIPTION	CATALOG NUMBER
14	INTERMEDIATE BRACKET & COVER KIT 40P, 0-90 DEGREES (ACMEDA® TYPE)	9013787
15	INTERMEDIATE MALE IDLER END PLUG (ACMEDA® TYPE)	9013786
16	INTERMEDIATE BRACKET & COVER KIT 40P (ACMEDA® TYPE)	9013783
17	INTERMEDIATE FEMALE IDLER END PLUG (ACMEDA® TYPE)	9013785

Please Note: For maximum torque limitations please refer to manufacturer's specifications.

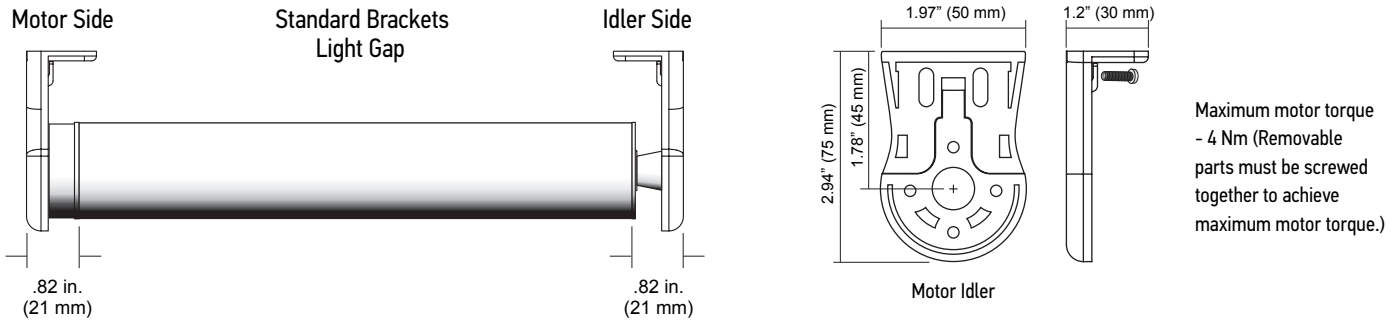
400 SERIES MECHANICAL ACCESSORIES

SOMFY DECORATOR TYPE

STANDARD BRACKET COMPONENTS



DIMENSIONS AND LIGHT GAP SPECIFICATIONS



PRODUCT CHART

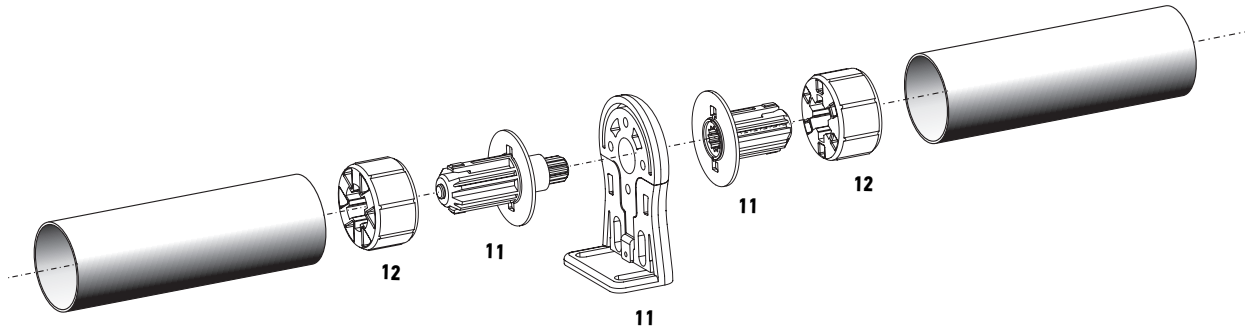
IMAGE	DESCRIPTION	CATALOG NUMBER
1	MOTOR (SONESSE® 40 SHOWN)	REFER TO INDIVIDUAL 400 SERIES SPEC SHEET
2	CROWN AND DRIVE (SOMFY 40 MM x 1.5 MM ROUND TUBE)	9012224
2a	CROWN AND RUBBERIZED DRIVE (SOMFY 40 MM x 1.5 MM ROUND TUBE)	9016654
3	MOTOR BRACKET (DECORATOR TYPE)*	9500683
4	IDLER END BRACKET (DECORATOR TYPE)*	9500685
5	IDLER END PLUG (8 MM DIA. PIN-DECORATOR TYPE)	9500688
6	40 MM ROUND DRIVE ONLY (FOR USE WITH IDLER END PLUG)	9147544
7	SOMFY 40 MM ROUND TUBE (20 FT. MAX LENGTH)	1781153
8	CORD CLIPS FOR ROMAN SHADE APPLICATIONS	9012200
9	CORD TAKE-UP REEL (40 MM TUBE)	1781152
10	M4 x 12 MM SCREWS	100405B

*Maximum motor torque - 4 Nm. (Removable parts must be screwed together to achieve maximum motor torque.)

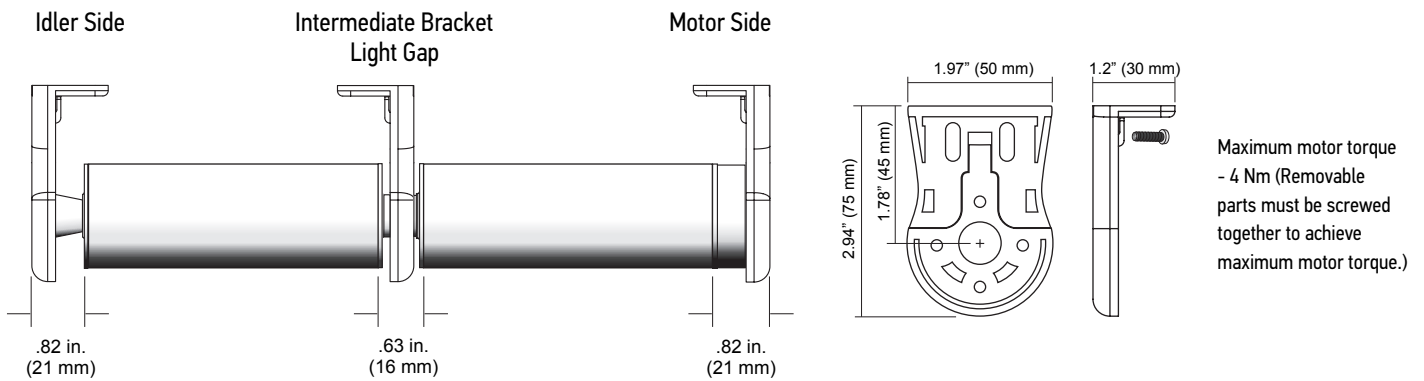
400 SERIES MECHANICAL ACCESSORIES

SOMFY DECORATOR TYPE

INTERMEDIATE BRACKET COMPONENTS



DIMENSIONS AND LIGHT GAP SPECIFICATIONS



PRODUCT CHART

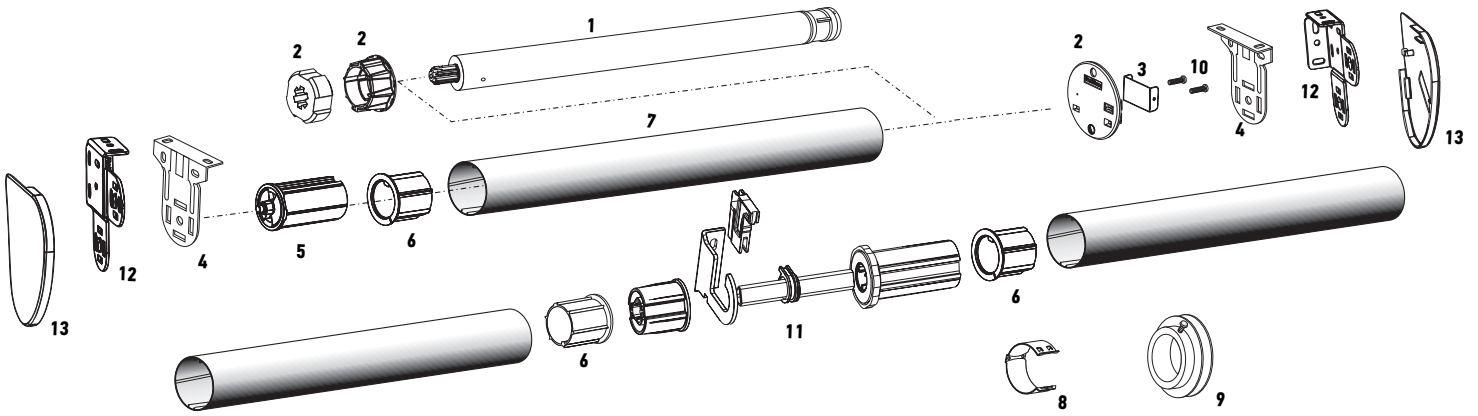
IMAGE	DESCRIPTION	CATALOG NUMBER
11	INTERMEDIATE BRACKET KIT (DECORATOR TYPE)*	9500687
12	40 MM ROUND DRIVE ONLY (FOR USE WITH INT. BRACKET)	9147544

*Maximum motor torque - 4 Nm. (Removable parts must be screwed together to achieve maximum motor torque.)

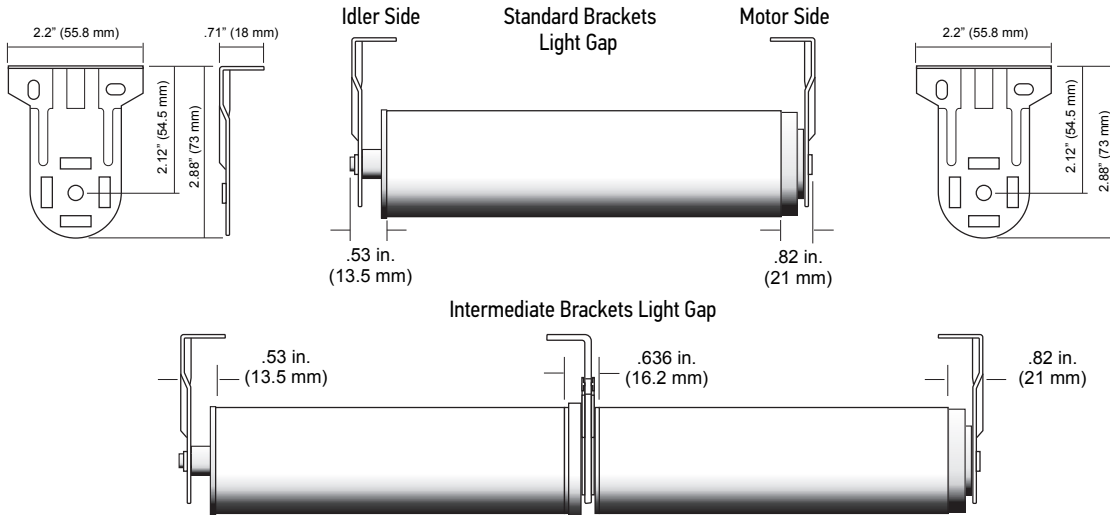
400 SERIES MECHANICAL ACCESSORIES

ROLLEASE® SKYLINE

STANDARD BRACKET COMPONENTS



DIMENSIONS AND LIGHT GAP SPECIFICATIONS



PRODUCT CHART

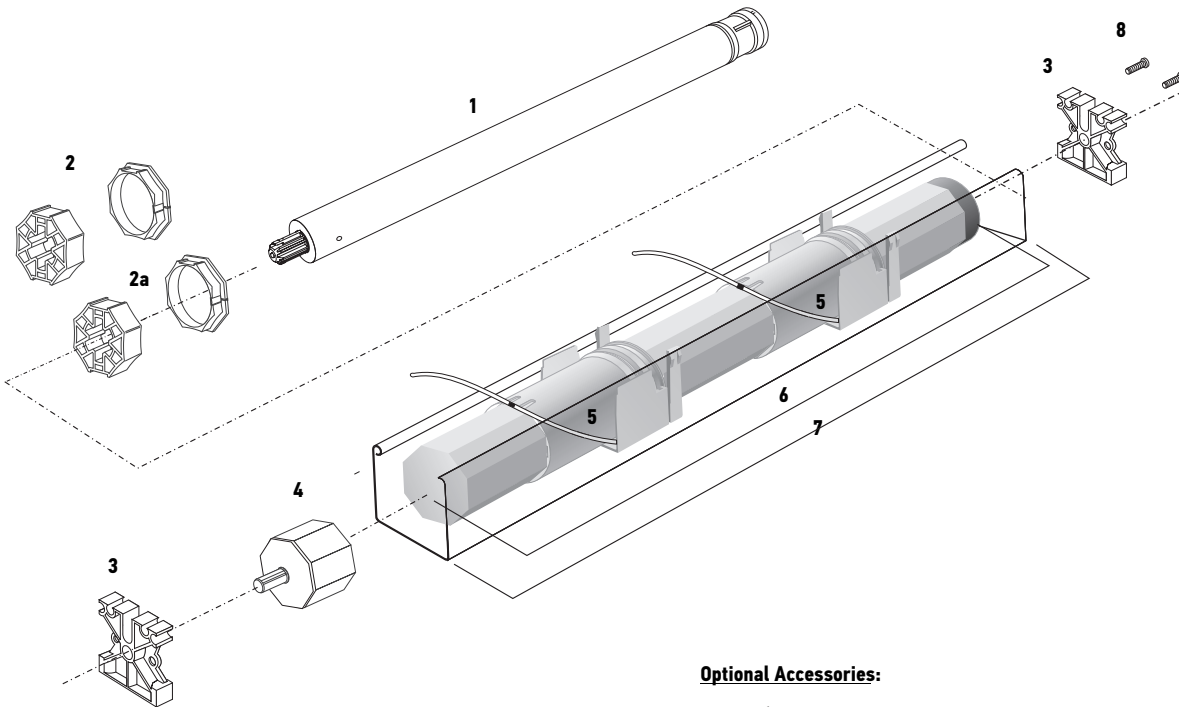
IMAGE	DESCRIPTION	CATALOG NUMBER
1	MOTOR (SONESSE® 40 SHOWN)	REFER TO INDIVIDUAL 400 SERIES SPEC SHEET
2	CROWN AND DRIVE WITH SKYLINE MOTOR MOUNT PLATE FOR ROLLEASE® 2" TUBE	9016352
3	MOTOR MOUNT CLIP	9017255
4	ROLLEASE® SKYLINE SERIES BRACKETS 2"	9016325
5	ROLLEASE® SKYLINE SERIES IDLER END PLUG	5059165
6	IDLER ADAPTOR COLLAR 2" PROFILE TUBE	9016366
7	ROLLEASE® 2" TUBE	1781798
8	CORD CLIPS FOR ROMAN SHADE APPLICATIONS 2" TUBE	9138028
9	TAKE-UP REEL - ROLLEASE 2" TUBE	1781151
10	M4 x 12 MM SCREWS	100405B
11	ROLLEASE® SKYLINE SERIES INTERMEDIATE LINK SYSTEM	9016367
12	ROLLEASE® DOUBLE BRACKET	9016616
13	ROLLEASE® DOUBLE BRACKET COVERS	9017267

Please Note: For maximum torque limitations please refer to manufacturer's specifications.

400 SERIES MECHANICAL ACCESSORIES

SOMFY CTS 40

CORD TAKE-UP SYSTEM (CTS)



Optional Accessories:



- 1781134 - 2" Slat Clips for Wood Blinds (White)
- 1781135 - 2" Slat Clips for Wood Blinds (Ivory)
- 1781136 - 2" Slat Clips for Wood Blinds (Brown)



1781133 - Ladder Crimp

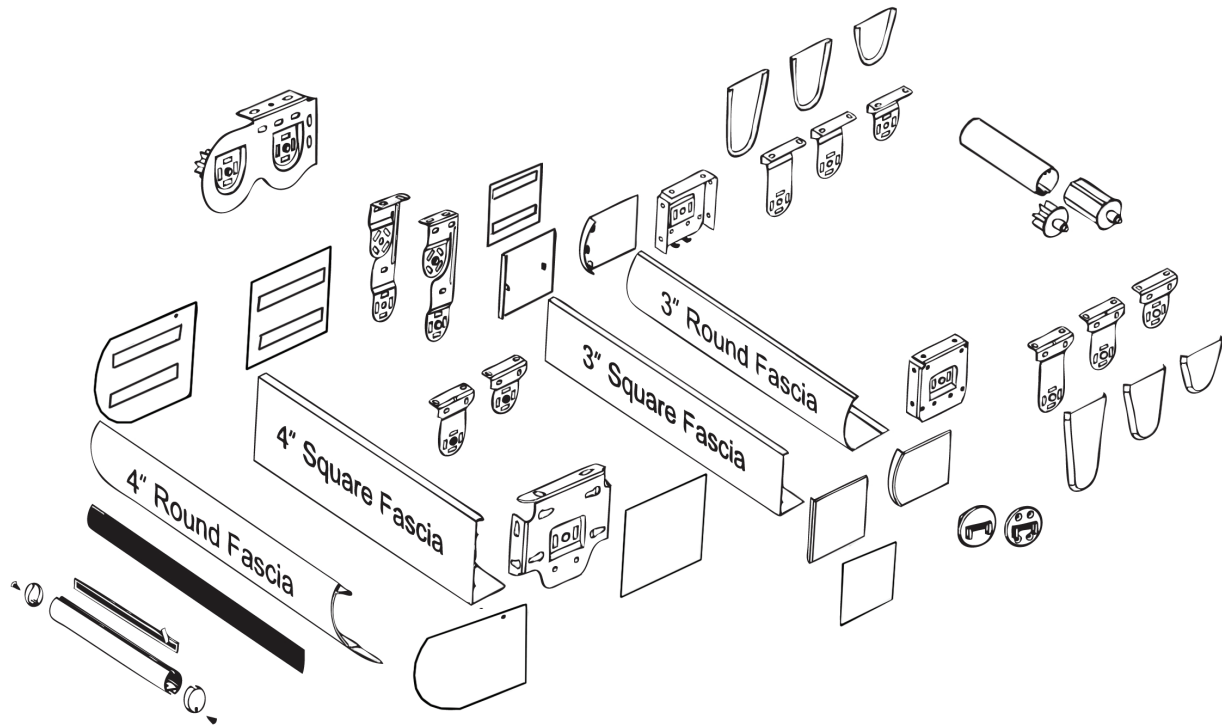
PRODUCT CHART

IMAGE	DESCRIPTION	CATALOG NUMBER
1	MOTOR (SONESSE® 40 SHOWN)	REFER TO INDIVIDUAL 400 SERIES SPEC SHEET
2	CROWN AND DRIVE KIT (40 MM OCTAGONAL TUBE)	9012225
2a	CROWN AND RUBBERIZED DRIVE KIT (40 MM OCTAGONAL TUBE)	9016655
3	MOTOR / IDLER BRACKET (FOR 57 MM x 51 MM HEADRAIL)	9500736
4	IDLER END PLUG FOR 40 MM OCTAGONAL TUBE	9012274
5	CTS 40 (FOR 57 MM x 41 MM HEADRAIL)	1781118
6	SOMFY 40 MM OCTAGONAL TUBE (20 FT. MAX LENGTH)	1781154
7	57 MM x 51 MM (2" x 2 1/4") GUTTER RAIL OR SIMILAR	CONTACT MANUFACTURER
8	M4 x 12 MM SCREWS	100405B

BRACKET, FASCIA, AND CASSETTE SOLUTIONS

ROLLEASE®

SKYLINE™ BRACKET AND FASCIA ACCESSORIES

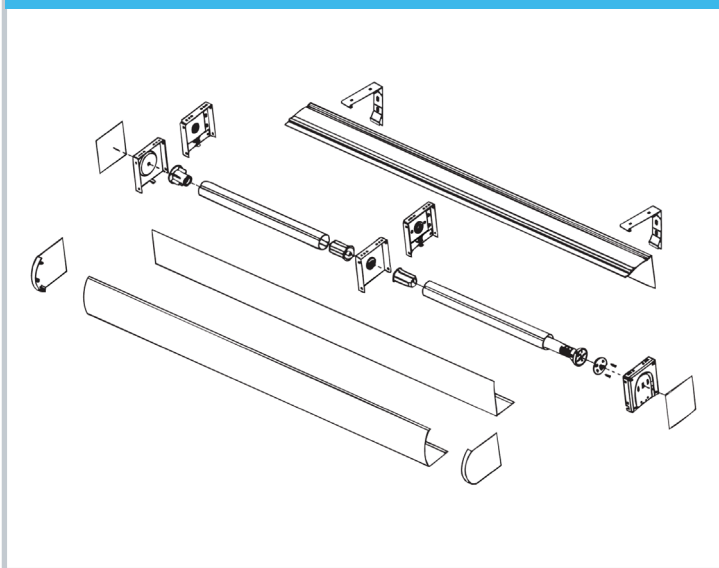


Please Note: For maximum torque limitations please refer to manufacturer's specifications

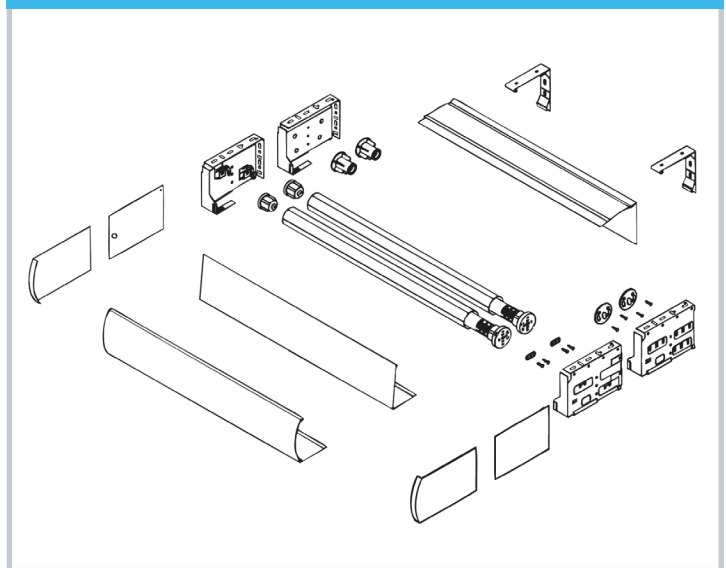
BRACKET, FASCIA, AND CASSETTE SOLUTIONS

ZMC®

INTERMEDIATE BRACKET SOLUTIONS



DUO SHADE FASCIA COMPONENTS



Please Note: For maximum torque limitations please refer to manufacturer's specifications

400 SERIES MECHANICAL ACCESSORIES

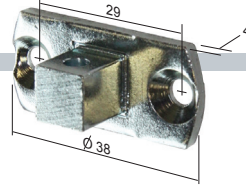
400 SERIES

400 SERIES to 500 SERIES Adaptor Kit



- Allows the use of 500 Series crowns and drives with 400 Series motors
- Black composite
- Maximum motor torque - 13 Nm
- Part # 9013763**

400 Series "LO" Bracket w/ a Square Stud



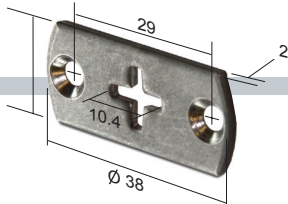
- Motor mounting screws included
- 10 mm square stud
- Zinc plated steel
- Maximum motor torque 13 Nm
- Part # 9147334**

400 Series Drive Stop w/ Screw



- Prevents drive disengagement from 400 series motor shaft
- 1 screw included
- Part # 9147894***

400 SERIES MOTOR BRACKET



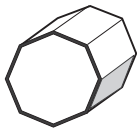
- Compatible with RollEase Bracket
- Stainless steel
- Maximum motor torque - 4 Nm
- Part # 9012258**

400 SERIES to 500 SERIES MOUNTING CONVERSION BRACKET



- Black composite
- Allows 400 Series motors to be used w/ 500 Series Star Head motor brackets
- Maximum motor torque - 9 Nm
- 2 screws included
- Part # 9500659**

CROWNS AND DRIVES

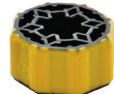


400 Series Crown for 40 x 0.8 mm Octagonal Tube
Part # 9147327

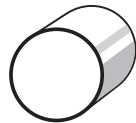


400 Series Drive for 40 x 0.8 mm Octagonal Tube
Part # 9147545

400 Series 40 mm Octagonal Set
Part # 9012225



NEW 400 Series Crown and Rubberized Drive for 40 mm Octagonal Tube
Part # 9016655*

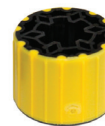


400 Series Crown for 40 x 1.5 mm Round Tube
Part # 9147330

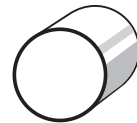


400 Series Drive for 40 x 1.5 mm Round Tube
Part # 9147544

400 Series 40 mm Round Set
Part # 9012224



NEW 400 Series Crown and Rubberized Drive for 40 mm x 1.5 mm Round Tube
Part # 9016654*



400 Series Crown for 40 x 1.0 mm Round Tube
Part # 9132143



400 Series Drive for 40 x 1.0 mm Round Tube
Part # 9132142

*Due to material composition it is recommended to apply a silicon-based lubricant to drive adaptor surface prior to motorized roller tube assembly. 400 Series drive stop with screw (part #9147894) should also be used to prevent drive disengagement during installation or removal.

About Somfy®

Somfy has been improving everyday life for more than 270 million people by designing and manufacturing intelligent motorization solutions for interior window coverings and exterior solar protections. Somfy innovates to automate and connect shades, blinds, draperies, awnings, rolling shutters, exterior screens & pergolas for commercial and residential buildings in 58 countries across the globe. With 170+ million motors produced over the last half century, Somfy is committed to creating reliable and sustainable solutions that promote the best way of living and well-being for all.

SOMFY SYSTEMS INC **SOMFY NORTH AMERICAN HEADQUARTERS**

121 Herrod Blvd.
Dayton, NJ 08810
T: (800) 22-SOMFY (76639)
NJ: (609) 395-1300
F: (609) 395-1776

FLORIDA

1200 SW 35th Ave.
Boynton Beach, FL 33426
T: (800) 22-SOMFY (76639)
F: (561) 995-7502

CALIFORNIA

15301 Barranca Parkway
Irvine, CA 92618-2201
T: (800) 22-SOMFY (76639)
F: (949) 727-3775

SOMFY ULC

SOMFY Canada Division

5178 Everest Drive
Mississauga, Ontario L4W2R4
T: 1-800-66-SOMFY (76639)
CN: (905) 564-6446
F: (905) 238-1491

www.somfypro.com

A BRAND OF **SOMFY** GROUP

© Copyright Somfy Systems, Inc 10/2021
Images: © SAS/Childeric